



**LEGAL NOTICE**

**AND**

**INVITATION TO BID**

**B #039-26**

The Brownsville Public Utilities Board will accept electronic or sealed bids for the Annual Supply of Electrical Inventory Material, **until 5:00 PM, May 20, 2026**, in the Brownsville PUB Purchasing Office, 1155 FM 511, Olmito, Texas 78575. **Electronic or sealed bids received after this time will not be considered.**

Bids will be publicly opened and read aloud on May 21, 2026 at 10:00 AM. Bidders can request a copy of the bid tabulation by emailing [hlopez@brownsville-pub.com](mailto:hlopez@brownsville-pub.com). Vendors can call in at 10:00 AM, May 22, 2026 to (956) 214-6020 to listen to the bid opening.

Brownsville Public Utilities Board utilizes the Texas Purchasing Group to post Request for Proposal (RFP) and bid opportunities, <https://www.bidnetdirect.com/texas/brownsville-pub>.

Detailed specifications may also be obtained at the following website: [https://www.brownsville-pub.com/rfp\\_status/open/](https://www.brownsville-pub.com/rfp_status/open/).

Please mark on the **outside of the envelope and on any carrier's envelopes**: "SEALED BIDS FOR **ANNUAL SUPPLY OF ELECTRICAL INVENTORY MATERIAL (B039-26), MAY 20, 2026 5:00 PM**", and send to the attention of Diane Solitaire, Purchasing Department, 1155 FM 511, Olmito, TX 78575.

The Brownsville Public Utilities Board will not be responsible in the event that the U.S. Postal Service or any other courier system fails to deliver the sealed bids to the Brownsville Public Utilities Board, Purchasing Office by the given deadline above. **Bid will be accepted via electronic transmission through Bidnet, only.**

The Brownsville PUB reserves the right to reject any or all bids and to waive irregularities contained therein and to accept any bid deemed most advantageous to the Brownsville PUB.

BY: *Diane Solitaire*  
Purchasing  
Brownsville Public Utilities Board  
(956) 983-6366 - Phone

Please submit this page upon receipt.

**ACKNOWLEDGEMENT FORM**

B#039-26 Annual Supply of Electrical Inventory Material

For any clarifications, please contact Hugo E. Lopez at the Brownsville Public Utilities Board, Purchasing Department at (956) 983-6364 or (956) 983-6375 e-mail: [hlopez@brownsville-pub.com](mailto:hlopez@brownsville-pub.com)

Please e-mail this page upon receipt of legal notice. If you only received the legal notice and you want the bid package emailed, please provide email address below.

Check one:

( ) **Yes, I will be able to send a bid; obtained bid package from website.**

( ) **Yes, I will be able to send a bid; please email the bid package.**

Email: \_\_\_\_\_

( ) **No, I will not be able to send a bid for the following reason:**

\_\_\_\_\_  
\_\_\_\_\_

If you are unable to send your bid, kindly indicate your reason for “No bid” above and return this form **via e-mail: [hlopez@brownsville-pub.com](mailto:hlopez@brownsville-pub.com) or to [dsolitaire@brownsville-pub.com](mailto:dsolitaire@brownsville-pub.com)**. This will ensure you remain active on our vendor list.

Please submit one (1) electronic version. Cost Sheet in Excel format can be down loaded/uploaded from BidNet.

**Requesting Cost Sheet in Excel format**

Date \_\_\_\_\_

Company: \_\_\_\_\_

Name: \_\_\_\_\_

Address: \_\_\_\_\_

City: \_\_\_\_\_ State: \_\_\_\_\_ Zip Code: \_\_\_\_\_

Phone: \_\_\_\_\_ E-mail: \_\_\_\_\_

**IF SPECIFICATIONS ARE DOWNLOADED FROM WEBSITE PLEASE E-MAIL THIS PAGE**

## Special Instructions

### *Contract Information*

- **Interpretation**

Questions concerning terms, conditions, and technical specifications should be directed to:

Hugo E. Lopez,  
Purchasing Administrator  
(956) 983-6375

or

Diane Solitaire, Purchasing & Materials  
Manager  
(956) 983-6366

### (957) **Tentative Time Line**

1. April 27, 2026 to May 20, 2026 - Vendors work on bid.
2. May 20, 2026 at 5:00 PM CST –**Vendor must submit one (1) set of original bid**

**documents in a sealed envelope to:**

Diane Solitaire, Purchasing

1155 FM511

Olmito, TX 78575

Bid #039-26 – Annual Supply of Electrical Inventory Material

Due: **May 20, 2026 at 5:00 PM**

*The above noted information must be included on bid envelope and on any carrier's envelope/package. **The Brownsville Public Utilities Board will not be held responsible for missing, lost or late mail or late electronic transmission.** Brownsville Public Utilities Board will accept electronic transmission of sealed bids via Bidnet, only.*

1. May 15, 2026- Last day to submit questions
2. May 21, 2026 - Open bids at 10:00 AM
3. May 22, 2026 – June 19, 2026 - Evaluate bids
4. June 22, 2026 – Provide Final Recommendations
5. July 13, 2026 - Send to Utilities Board for approval
6. Term of contract will commence July 2026

- **Or Equal**

Brand name or manufacturer's reference used in this request is descriptive – not restrictive – it is intended to indicate type and quality desired. Brands of like nature and quality will be considered. If bidding on other than referenced specifications please provide complete descriptive information of said article.

- **Pricing**

Bid unit price on quantity specified, extend and show total. In case of errors in extension, unit prices shall govern. **Price shall remain firm until an award is made and for a period of one year after original date of Purchase Order, unless otherwise stipulated.**

All fields (UNIT PRICE, DELIVERY AND MANUFACTURER) in the Cost Sheets must be completed. The data must be complete to identify the bidding brand.

*Failure to submit any of the above information with the sealed bid will disqualify bid.*

- **Vendor Representative**

The successful vendor agrees to send a personal representative with binding authority for the company to the Brownsville Public Utilities Board upon request to make adjustments and/or assist with coordination of all transactions as needed.

- **Quality of Products**

All items must be new, in first class condition, including containers suitable for shipment and storage. No substitutions in standard grades or lesser quality will be accepted.

- **Determining Factors for Award**

1. Bidders net price on bid items
2. Stock availability
3. Reputation of brand names offered
4. Reputation and location of the bidder
5. Time and conditions of delivery
6. BPUB financial and legal responsibility evaluations of any identified teaming arrangements involving significant joint ventures, subcontractors and suppliers
7. Safety record will be considered when determining the responsibility of the bidder

- **Contract with Vendor/Entity Indebted to BPUB**

It is a policy of the BPUB to refuse to enter into a contract or other transaction with an individual, sole proprietorship, joint venture, Limited Liability Company or other entity indebted to BPUB.

- **Vendor ACH (Direct Deposit) Services**

The BPUB has implemented a payment service for vendors by depositing the payment directly to the vendor's bank account. Successful vendor(s) will be required to receive payments directly through Automated Clearing House (ACH) in lieu of a paper check. **The awarded vendor must agree to receive payments via ACH (Direct Deposit).**

- **Tax Identification Number (TIN)**

In accordance with IRS Publication 1220, aW9 form, or a W8 form in cases of a foreign vendor, will be required of all vendors doing business with the Brownsville PUB. If a W9 or W8 form is not made available to Brownsville PUB, the first payment will be subject to income tax withholding at a rate of 28% or 30% depending on the U.S. status and the source of income as per IRS Publication 1220. **The W9 or W8 form must be included with bid response.** Attached are sample forms.

- **Taxes**

The Brownsville Public Utilities Board is exempt from Federal Excise Tax, State Tax and local Taxes. Do not include tax in the bid. If it is determined that tax was included in the bid it will not be included in the tabulation or any awards. Tax exemption certificates will be furnished upon request.

- **Signing of Bid**

**Failure to sign bid will disqualify it.** Person signing bid should show title or authority to bind their firm to a contract.

- **EEOC Guidelines**

During the performance of this contract, the contractor agrees not to discriminate against any employee or applicant for employment because of race, national origin, age, religion, gender, marital or veteran status, or physically challenging condition.

- **As Needed Basis**

Quantities are estimated for an annual supply and are **to be released on an “as needed” basis** and be billed as such. However, successful vendor must have stock readily available for immediate shipment to the BPUB. Brownsville PUB will not accept the full quantity at one time as specified on Cost Sheet.

- **Contract and Purchase Order**

The electrical inventory material will be delivered FOB Brownsville Public Utilities Board, 1155 FM511, Olmito, TX 78575. The material will be received in releases upon request and be billed as such over a period of one (1) year. A contract for the electrical inventory material will be placed into effect by means of a purchase order issued by the Brownsville Public Utilities Board after tabulation and final approval by the Brownsville PUB Board of Directors.

- **Terms**

One (1) year from the date of award not to exceed the one (1) year or the awarded amount whichever comes first, with the option to renew for an additional one (1) one year period if agreed upon in writing by both parties.

- **Brownsville Public Utilities Board Rights**

1. If only one or no bid is received by "submission date", the BPUB has the right to reject, re-bid, accept and/or extend the bid by up to an additional two (2) weeks from original submission date.
2. The right to reject any/or all bids and to make award as they may appear to be advantageous to the Brownsville Public Utilities Board.
3. The right to hold bid for 90 days from submission date without action, and to waive all formalities in bid.
4. The right to extend the total bid beyond the original 90-day period prior to an award, if agreed upon in writing by all parties (BPUB and vendor/contractor) and if bidder/vendor holds original bid prices firm.
5. The right to terminate for cause or convenience all or any part of the unfinished portion of the Project resulting from this solicitation within Thirty (30) calendar days written notice; for cause: upon default by the vendor/contractor, for delay or non-performance by the vendor/contractor; or if it is deemed in the best interest of the BPUB for BPUB's convenience.
6. The right to increase or decrease quantities. In bid, stipulate whether an increase or decrease in quantities will affect bid price
7. The Brownsville PUB has the right to refuse to enter into a contract or other transaction with any individual or entity indebted to the municipality as per Local Government Code 252.0436.

- **Corrections**

Any interpretation, correction, or change to the invitation to bid will be made by ADDENDUM. Changes or corrections will be issued by the Brownsville PUB Purchasing Department. **Addenda will be emailed to all who have returned the Bid Acknowledgment form.** Addenda will be issued as expeditiously as possible. It is the responsibility of the vendors to determine whether all addenda have been received. It will be the responsibility of all respondents to contact the Brownsville PUB prior to submitting a response to the invitation to bid to ascertain if any addenda have been issued, and to obtain any all addenda, execute them, and return addenda with the response to the invitation to bid. Addenda may be posted on the Brownsville PUB's website.

## Special Instructions:

- Shipments will be on a month-to-month basis or as needed. **BPUB WILL NOT ACCEPT ONE FULL SHIPMENT.**
- Material shall be shipped immediately after being notified via e-mail or by phone. Vendor waiting for a Full Truckload (FTL) is not acceptable.
- (E0030-00) Galvanized crossarm mounting bracket **must fit** 10kV lighting arrestors
- Commodities E0948-00 and E0948-04 **must be the same brand**
- Commodities E0948-01 and E0948-02 **must be the same brand**
- URD 3PH Cabinets 200 Amp & 600 Amp (E0973-00 & E974-00) **must be** fabricated 14 gauge **Aluminum Sheet Metal**, Munsell 7GY 3.29/1.5 Green paint and all hinges, lock, lifting nuts, ground nuts, carriage bolts **must be** stainless steel
- Crossarm commodities E0005-00, E1050-00, and E1051-00 **must meet** BPUB specifications and drawings, see page 40 and 41.

**NOTE:** Please make pricing on specification sheet legible.

Brand name or manufacturer's reference used in this request is descriptive – not restrictive – it is intended to indicate type and quality desired. Brands of like nature and quality will be considered. If bidding on other than referenced specifications please provide complete descriptive information of said article. Mark “cut sheets/data sheets” with BPUB Commodity Number (“E”) for reference. Items without a “cut/data sheet” may not be considered.

- Brownsville Public Utilities Board Approved Manufacturer's List
  - Cooper Lighting
  - Maclean
  - GE Lighting Solutions
  - NSI Lighting Products
  - Joslyn
  - Burndy
  - Kearney
  - Blackburn
  - Hubell
  - Slo-Fast
  - Sun-Tech
  - Tyco Electronics (excludes photocells)
  - DTI – Dark to Light
  - ELA Lighting
  - Chance
  - Aluma-Form
  - Brooks
  - Maysteel

COST SHEET

COMMODITY NO.	QTY.	DESCRIPTION	UNIT PRICE	DELIVERY IN DAYS (ARO)	SPECIFY MFG/PART NO.	SPECIFY IF STD PKG APPLIES
E0002-00	150	Arm, 3-Position Alum Steel, Bethea #VIB3-18, P619, CA-18-3; Hubbell #LB18B3				
E0005-00	450	3-3/4" X 4-3/4" X 8' standard crossarm, Wooden 8# Penta treated Douglas Fir per BPUB specs Type P-EA-03 full cut, <b>Specifications located at the end of the document</b>				
E0006-00	600	Crossarm steel flat brace, #J7128; #SC7128; #U7128, #5091; Brace, 28" Flat steel for crossarm #APP-1554 28"; Allied #5091				
E0007-00	50	Bracket Lite duty cluster mount Aluma-Form#6M3-6, Cluster Mount Al. Chance #C212-8003, Mount Single Phase #1CSA; Hubbell #C6M3-6				
E0008-00	900	Clamp Hotline copper #BC20; #C520, UPI #UH520CC, #UHC520CC; #C1520, PENNUNION #HLC020				
E0009-00	200	Clamp, Bailing Al to Cu Burndy #J990				
E0010-00	600	Clevis, one point galvanized, Chance # C207-0024; <b>NO SUBSTITUTION</b>				
E0012-00	600	Fuse Cutout 100 amp, <b>Polymer</b> 27 KV, 125 kv BIL, No Crossarm Brackets; ALUMA FORM #CSG-27-100A-125CN-12KA; #CP710213 <b>No Bracket</b>				
E0012-01	60	Fuse Cut Out, <u>200 Amp</u> <b>Porcelain</b> ,127 BIL with NEMA "B" Heavy Duty Crossarm Bracket Chance # C730242PB; S&C89072R11D; ABB#X2NCNNVA22				
Option 1 E0012-01	50	Fuse Cut Out, <b>Polymer</b> 200 Amp 127 BIL ALUMA FORM #CSG-27LD-200A-125CB-10KA; Chance# CP710242;				

COST SHEET

COMMODITY NO.	QTY.	DESCRIPTION	UNIT PRICE	DELIVERY IN DAYS (ARO)	SPECIFY MFG/PART NO.	SPECIFY IF STD PKG APPLIES
E0013-00	500	Rod Ground 5/8" x 8' Copper Weld, Mfg. Galvan #6258G-13; Erico# CEL615883; #21448*RUS; Erico# 6258 *Meeting UL Approved requirements*				
E0014-00	600	Clamp 5/8" ground rod Eritech #P5; #GRC58; Mfg. Galvan #CPSH-58R; #CP58; Allied #2192				
E0015-00	200	Molding Ground 1/2 x 8' PVC #PM128; Allied #11400; #PEGM1/2-GR; PLP #GWMMS10319				
E0016-00	200	Attachment Guy 3/8" x 1/2" Galv. #P135A; #GH5; #HGA58C; Allied #5060				
E0017-00	300	Guard Guy 8' Yellow Plastic #PBG2Y; Performed #PG5718; Elec. Matls Co.#70-7YTIE				
E0018-00	300	Insulator Guy Strain ANSI Class 54-3, #P543G; MacLean #L506; Gamma #8506-70; ABB G5				
E0020-00	1,500	<b>Polymer Insulator "Fog Bowl"</b> Preformed, Cat# IP-25-F1, P/N600064977101; NGK #HRAP-15053; #PI73233RT; Victor #39R; ICB #5511				
E0021-00	800	Insulator 28 KV Suspension #DS28M; #2515S-00; #4010280215; #9502U-SI; #ARP25EACE-1; SEDIVER #CT-4R2M; #ARP-25SKCKE-5; #ARP-25SKCE-S				
E0022-00	500	Insulator 3" spool porcelain; CST#ANSI53-2; VI #2612				
E0023-00	200	Insulator, wire holder #J089Z; E09C207-0138; CSTK4; Wireholder Porcelain Products #1986; Maclean# J089Z; Powerline #P089G				

COST SHEET

COMMODITY NO.	QTY.	DESCRIPTION	UNIT PRICE	DELIVERY IN DAYS (ARO)	SPECIFY MFG/PART NO.	SPECIFY IF STD PKG APPLIES
E0024-00	600	Lighting Arrestor 10KV #2137097214; Joslyn #ZHP010-000000; Cooper #UHS10050A1A1A1A; Tyco #DAH10AE0D0B31; <b>Arrester with Insulator Base Only</b>				
E0025-00	800	Ridge Pin, pole top 12"L or 13"L, steel galv. 1" Insulator Thread, <b>Nylon Alloy Thread Only</b> , #RPM121; #G1MDR113AS1 <b>NO SUBSTITUTION</b>				
E0026-00	1,200	Pin, Crossarm Insulator, 1" Thread, <b>Nylon Only</b> , #J207Z; #883				
E0026-01	250	Pin Crossarm Insulator Joslyn# J6077; MPS #J607Z; Allied #2743				
E0027-00	250	Pin, Short Shank Insulator <b>Nylon Alloy Thread Only</b> Maclean# J224Z; Hubbell #PS893P; Allied #2721				
E0028-00	5,000	Staple, small copper coated, diamond pt. 1 ¼ x 5/16 x .114 CWLD, <b>Must be 100/box</b> , #J6493; #750221; Allied Bolt #004100; Allied 25010; Larson #4043100/750221; Allied #25001				
E0029-00	3,000	Staple, large copper coated, diamond pt 2 x ½ x .162 CWLD, <b>Must be 100/box</b> , #J6496; #750545; Larson #404325/750545; Allied #25010				
E0030-00	100	Heavy Duty Galvanized Bracket NEMA Type "D" with captive 3/8" -1 ½" – Length 6-5/8" <b>for Std "C" Cutout C710213P</b> , Line Hardware #CMB-1A ( <b>Must fit commodity E0012-00</b> )				

COST SHEET

COMMODITY NO.	QTY.	DESCRIPTION	UNIT PRICE	DELIVERY IN DAYS (ARO)	SPECIFY MFG/PART NO.	SPECIFY IF STD PKG APPLIES
E0031-00	800	Transformers Grd. Clamp 1/2-13, eyebolt style, 8 SOL - 2/0 19 STR, TGL #1126-00 Penn-Union #HGSE-020 eye bolt clamp, 2 way, 8SOL- 2/0 19 Str #GTCS-34A; TG-820				
E0041-00	100	Anchor, 1 ¼ x 96 W/10 Helix steel galv. MacLean #J6550WCA; Joslyn# #J6550WCA; HPS #10148; Hubbell #10148; Allied #1169				
E0049-00	250	Holder, wire 1-1/4" to 3" pipe size Nylon Mast mounted; ASTM #A153 #J0588Z; Allied #9254				
E0100-00	250	Bolt, Machine 5/8" X 10" galv. #J8810; Allied 8222				
E0101-00	3,000	Bolt, Machine 5/8" x 12" galv #J8812; #C8812; Joslyn #P8812; Aluma-Form #8812; Allied #8224				
E0102-00	1,500	Bolt, Machine 5/8" x 14" galv #J8814; #C8814; Aluma-Form #8814; Allied #8226				
E0104-00	500	Bolt, Machine 5/8 X 18 galv. #J8818; 8230				
E0105-00	100	Bolt, Machine 5/8 X 20 Galvanized Steel Joslyn #J8820, Allied #8232				
E0107-00	30	Bolt, Machine 5/8 x24x6" thread galvanized Joslyn# J8824; MacLean MPS #J8824; Poleline/Allied #8236				
E0110-00	300	Bolt, Oval Eye 5/8 x 18 galvanized Joslyn# J9412; R9412; Aluma- Form #9412; Allied #4104				
E0111-00	150	Bolt, Oval Eye 5/8 x 14 galvanized Joslyn #J9414; #R9414; Allied #4105				

COST SHEET

COMMODITY NO.	QTY.	DESCRIPTION	UNIT PRICE	DELIVERY IN DAYS (ARO)	SPECIFY MFG/PART NO.	SPECIFY IF STD PKG APPLIES
E0117-00	100	Bolt, D. A. 5/8 X 18 Galvanized #J8868 /#C8868 PLR# R8868, Allied Part# 5958				
E0118-00	100	Bolt, D. A. 5/8 X 20 Galvanized #J8870, R8870 Bolt, Double Arm 5/8" X 20" Galvanized Steel Joslyn #J8870; Allied #5960 Grid Power Product(GPP) #U8870				
E0119-00	150	Bolt, D.A. 5/8 x 22 galv. Joslyn# J8872; AF8872; Allied #5962				
E0120-00	300	Bolt, D.A. 5/8 x24 galv. #J8874, #R8874; PLH #P8874; Allied #5964				
E0121-00	100	Bolt Double Arm (D. A.) 5/8 X 30 Galvanized W/4- Nut Joslyn #J8878; Allied #5970; #AF8878; Poleline#P8878; MPS #P8878				
E0122-00	150	Bolt, D.A.E. 5/8 X 18 Galv. #J9618 Bolt, D.A. Eye 5/8" X 18" Galvanized Steel Joslyn #J9618; Chance/Hubbell #19788				
E0124-00	100	Bolt, D.A.E. 5/8 X 22 Galvanized #J9622 Bolt, D.A. Eye 5/8" X 22"galv. Steel Joslyn #J9622; Chance/Hubbell #19792				
E0125-00	600	Bolt, Carriage 3/8 x 5 galv. #J8635; AF8635; Maclean #J8635				
E0128-00	800	Bolt, Carriage 1/2-13" x 7" galv. w/nuts #J8647; #SC8647; #R8647; SPS-8647; Allied #1493				
E0133-00	100	Bolt, upset 5/8" x 12" galv. #J2346-1/2, Hubbell #7743; R2346-1/2; PLH #P2346-1/2; Allied #1714				

COST SHEET

COMMODITY NO.	QTY.	DESCRIPTION	UNIT PRICE	DELIVERY IN DAYS (ARO)	SPECIFY MFG/PART NO.	SPECIFY IF STD PKG APPLIES
E0134-00	100	Bolt, Upset 5/8" X 14" Galvanized Steel Joslyn#J2348-1/2				
E0135-00	1,500	Screw 1/2" x 4- 1/2" lag galvanized <b>fetter drive -drive point</b> , #J8754-1/2P; #P8754-1/2P; #R8754-1/2P				
E0136-00	1,000	Nut 5/8" oval eye galv. #J1092; #C6502; #R1092; Supreme #1092; Allied #5876; #AF1092; Line Hardware #OEN58				
E0138-00	5,000	Washer 5/8" square 2 1/4" galvanized; #6813; #P1075; Poleline/Allied #11500				
E0139-00	3,000	Washer Lock, 5/8" Double Coil Spring Galvanized, ASTM A-153; Compressed Product Number C2050186; Aluma/Pole Line #AF177; Line Hardware #DLW-58; MPS #J177				
E0140-00	1,500	Hex Bolt, 1/2 x 2 Length, 1- 1/4 Threaded, Cap Screw, Hex Head Stainless Steel with 1-1/2" Thread 18-8 or 304 sstl; ALLIED #22167				
E0142-00	1,500	Nut, 1/2"-13 Hex Stainless Steel 18-8 or 304 sstl Allied #54513				
E0143-00	1,500	Lock washer 1/2" Stainless Steel 18-8, or 304 sstl; #71070				
E0144-00	1,500	Flat Washer, 1/2" Stainless Steel 18-8 or 304 sstl Allied #17215				
E0149-00	1,000	Flat Washer 1/2" ID x 1.25" OD Brass, Tolerance +/- .005; Thickness 0.091" Part Number 1175210				
E0195-00	4,000	Wire 10M Alumoweld Guy, 500 FT Coils, Alcoa #10M-500				

COST SHEET

COMMODITY NO.	QTY.	DESCRIPTION	UNIT PRICE	DELIVERY IN DAYS (ARO)	SPECIFY MFG/PART NO.	SPECIFY IF STD PKG APPLIES
E0196-00	20,000	Wire 16M Alumoweld Guy, 500 FT Coils, Alcoa #16M-500; Priority #P32S1				
E0198-00	500	Dispenser Guy Wire PREFORMED #SGD0700; MPS #MGWD700				
E0330-00	50	Terminal #2/0-4/0 STR CU 1-Barrel #HHL21-2N; #2/0 - 4/0 STR. CU. Terminal 1-Barrel 2-Hole Pad; Dossert #HHL-21-2N; Burndy QQA282N				
E0331-00	50	Terminal 4/0-300 MCM CU 1-Barrel, 2-Hole #HHL30-2N, #4/0-300 MCM CU. Terminal 1-Barrel 2-Hole Pad, Dossert #HHL-30-2N; Burndy QA312N				
E0332-00	30	Terminal 300-500 MCM CU 1-Barrel, 2-HOLE#HHL-50-2N, 300-500 MCM CU. Terminal 1-BARREL 2-Hole Pad, Dossert #HHL-50-2N; Burndy #QA342N				
E0375-00	100	Splice #6 SOL Cu Tens NICO PRESS #1-162-J; #YDS6W				
E0376-00	150	Splice #4 SOL Cu Tens, NICO PRESS 1-204-P, YDS4W; Burndy #YDS4W				
E0382-00	100	Deadend #6 Sol Cu S/T Maclean #61LD				
E0385-00	100	Deadend #4 Sol Cu S/T Maclean #41LD				
E0400-00	100	Connector, #8 Solid Copper Split Bolt Penn-Union #S-8; Penn-Union #KS15				

COST SHEET

COMMODITY NO.	QTY.	DESCRIPTION	UNIT PRICE	DELIVERY IN DAYS (ARO)	SPECIFY MFG/PART NO.	SPECIFY IF STD PKG APPLIES
E0401-00	100	Connector #6 Solid Copper Split Bolt, Burndy #KS17				
E0402-00	100	Connector #4 Solid Copper Split Bolt, KS203				
E0403-00	150	Connector, #2 STR. Split Bolt, Dossert DS-6, KS23				
E0404-00	50	Connector #1/0 Strand Copper Split Bolt, #KS25				
E0405-00	150	Connector #2/0 Strand Copper Split Bolt, #KS26; Penn Union #S2/0				
E0406-00	150	Connector #4/0 Strand Copper Split bolt, #KS29				
E0409-00	100	Connector #750 MCM Coper Split Bolt, KS39				
E0410-00	50	Connector #1000 MCM Copper Split Bolt, KS44				
E0413-00	1,000	Crimpfit #8 Sol. -8 Sol Cu Burndy #YC8C8				
E0414-00	1,000	Crimpfit #4 Str -8 Sol. Cu Burndy #YC4C8				
E0415-00	1,000	Crimpfit #4 Str. -6 Sol Cu Burndy #YC4C6				

COST SHEET

COMMODITY NO.	QTY.	DESCRIPTION	UNIT PRICE	DELIVERY IN DAYS (ARO)	SPECIFY MFG/PART NO.	SPECIFY IF STD PKG APPLIES
E0416-00	1,000	Crimpit #4 Str. -4 Str. Cu Burndy #YC4C4				
E0417-00	500	Crimpit #2 Str. -4 Str. Cu. Burndy #YC2C4				
E0418-00	3,000	Crimpit #2 Str -2 Str. Cu Burndy #YC2C2				
E0420-00	200	Crimpit 1/0, Str – 1/0 Str Cu #YC26C26; Homac #CC2020; Penn-Union #CCT2020				
E0422-00	100	Crimpit 3/0 Str - 4/0 Str #YC28C28; Homac CC4040; Penn-Union #CCT4040				
E0464-00	350	Fuse holder 100 amp, 27KV, 125BIL <b>without lever</b> ABB #7194C60G05; S&C#89532R9; Chance #T710-213T; Cooper #LDCA00A; ABB #7194C60G05MP; ABB #7194C60G05; S&C # 89532R10; Aluma Form #CFH27-100-12KA				
E0465-00	150	Fuseholder 100 Amp, 15/27KV Loadbreak, 125BIL <b>with lever</b> , Arm, Chance # T720-213T; ABB #7194C60G05MP				
E0467-00	200	Fuseholder 200 AMP 15KV, Chance #T710-342T; ABB7194C60G07; <b>NO SUBSTITUTION</b>				
E0478-00	200	Fuselink 1.4 Amp Type Slo-Fast #M1.4SFA23 <b>NO SUBSTITUTION</b>				
E0479-00	200	Fuselink 2.1 Aamp Type Slo-Fast, #M2D1SFA23 <b>NO SUBSTITUTION</b>				

COST SHEET

COMMODITY NO.	QTY.	DESCRIPTION	UNIT PRICE	DELIVERY IN DAYS (ARO)	SPECIFY MFG/PART NO.	SPECIFY IF STD PKG APPLIES
E0480-00	400	Fuselink 3.5 Amp Type Slo-Fast, #CM3D5DFA23, <b>NO SUBSTITUTION</b>				
E0481-00	300	Fuselink 5.2 Amp Type Slo-Fast, #CM5D2SFA23, <b>NO SUBSTITUTION</b>				
E0482-00	100	Fuselink 6.3 AMP Type SLO-FAST #M6.3SFA23 <b>NO SUBSTITUTION</b>				
E0483-00	200	Fuselink 7 Amp Type Slo-Fast #M7.0SFA23 <b>NO SUBSTITUTION</b>				
E0484-00	200	Fuselink, 8 AMP Type K #M8KA23 <b>NO SUBSTITUTION</b>				
E0485-00	200	Fuselink 10 Amp Type K #M10KA23 <b>NO SUBSTITUTION</b>				
E0486-00	200	Fuselink 12 Amp Type K # M12KA23 <b>NO SUBSTITUTION</b>				
E0487-00	200	Fuselink 15 Amp Type K # M15KA23 <b>NO SUBSTITUTION</b>				
E0488-00	200	Fuselink 20 Amp Type K # M20KA23 <b>NO SUBSTITUTION</b>				
E0489-00	200	Fuselink 25 Amp Type K # M25KA23 <b>NO SUBSTITUTION</b>				
E0490-00	300	Fuselink, 30 Amp Type K #M30KA23 <b>NO SUBSTITUTION</b>				

COST SHEET

COMMODITY NO.	QTY.	DESCRIPTION	UNIT PRICE	DELIVERY IN DAYS (ARO)	SPECIFY MFG/PART NO.	SPECIFY IF STD PKG APPLIES
E0491-00	200	Fuselink, 40 Amp Type K #M40KA23 <b>NO SUBSTITUTION</b>				
E0492-00	200	Fuselink, 50 Amp Type K #M50KA23 <b>NO SUBSTITUTION</b>				
E0493-00	200	Fuselink, 65 Amp Type K #M65KA23 <b>NO SUBSTITUTION</b>				
E0495-00	200	Fuselink, 80 Amp Type K #M80KA23 <b>NO SUBSTITUTION</b>				
E0496-00	200	Fuselink 100 Amp type K #M100KA23 <b>NO SUBSTITUTION</b>				
E0497-00	200	Fuselink 140 Amp TYPE K #M140KA23 <b>NO SUBSTITUTION</b>				
E0499-00	200	Fuselink 200 Amp Type K #M200KA23 <b>NO SUBSTITUTION</b>				
E0501-00	2,000	Grip 4STR. Coated service Deadend #ND-0102; #AND0790; #NDE0323				
E0505-00	500	Grip 1/0 STR coated service deadend #ND-0110; #AND1210; #NDE0507				
E0543-00	300	Grip 10M AL Strand Deadend Guy, #AWGG0770; #AWDE-4116; DSM #AWDE0313; MPS #DE- AC4116; HG-521-10M				
E0544-00	2,000	Grip 16M AL Strand Deadend Guy, #AWGG0965; #AWDE-4122; HG-525-16M; DSM# AWDE0394				

**COST SHEET**

<b>COMMODITY NO.</b>	<b>QTY.</b>	<b>DESCRIPTION</b>	<b>UNIT PRICE</b>	<b>DELIVERY IN DAYS (ARO)</b>	<b>SPECIFY MFG/PART NO.</b>	<b>SPECIFY IF STD PKG APPLIES</b>
E0600-00	200	Sleeve 1/0 STR-#4 STR Service 1/0 STR - #4 STR Insulated Service Sleeve Yellow-Orange BLACKBURN #IKL34; #X1N104				
E0601-00	400	Sleeve 1/0 STR-#2 STR Insulated Service Yellow-Red Blackburn #IKL35; X1N102; Penn Union #PIK01R				
E0602-00	500	Sleeve 1/0 STR-1/0 STR Service #IKL36; #X1N1010; Penn-union #PIK00R				
E0603-00	200	Sleeve 2/0 STR-#4 STR Service #IKL44 or X1N204; IlSCO #PICS-844; Penn-Union #PIK202				
E0604-00	300	Sleeve 2/0 STR-#2 STR Service #IKL45; #X1N202; ILSCO #PICS-845; Penn-Union #PIK201				
E0605-00	100	Sleeve 2/0 STR-1/0 STR Insulated Service Sleeve Gray-Yellow, Blackburn #IKL46; #X1N2010; PIK200				
E0606-00	100	Sleeve 2/0 STR-2/0 STR Insulated Service Sleeve Gray-Gray Blackburn #IKL47				
E0607-00	200	Sleeve 3/0 STR-1/0 STR Service #IKL56 3/0 STR - 1/0 STR Insulated Service Sleeve Black-Yellow IlSCO #PICS-856; Penn-union #PIK300				
E0609-00	200	Sleeve 4/0 STR-#2 STR Service #IKL65; X1N402 4/0 STR. - #2 STR Insulated Service Sleeve Pink-Red IlSCO #PICS-865; Penn-Union #PIK401				
E0610-00	200	Sleeve 4/0 STR-1/0 STR Service #IKL66; #X1N4010; Penn-Union #PIK400				

COST SHEET

COMMODITY NO.	QTY.	DESCRIPTION	UNIT PRICE	DELIVERY IN DAYS (ARO)	SPECIFY MFG/PART NO.	SPECIFY IF STD PKG APPLIES
E0611-00	100	Sleeve 4/0 STR.- 2/0 STR Insulated Service Sleeve Pink-Gray, Blackburn #IKL67; X1N4020; Penn-Union #PIK4020				
E0612-00	100	Sleeve 4/0 STR. - 3/0 STR Insulated Service Sleeve Pink-Black, Blackburn #IKL68				
E0613-00	100	Sleeve 4/0 STR-4/0 STR Service #IKL69; #X1N4040; #PIK4040				
E0620-00	200	Insulink #4 SOL - TO #4 SOL #ES4W4W, U1N66, #4 SOL - TO #4 SOL. Insulink AL. OR CU. Blue -Blue Burndy #ES4W4W				
E0623-00	200	Insulink #4 STR-6 STR #ES2W4W #4 STR. -6 STR. Insulink AL. OR CU. Orange -Blue Burndy #ES2W4W				
E0624-00	1,500	Insulink #4 STR-4 STR #ES2W2W; Thomas & Betts (T&B) PART# ICS68-1, Burndy #ES2W2W Orange-Orange				
E0627-00	200	Insulink #2 STR TO #6 SOL #ES2R6W #2 STR. TO #6 SOL Insulink AL. OR CU. Red-Green Burndy #ES2R6W				
E0628-00	300	Insulink #2 STR-6 STR #ES2R4W; #PIK14 #2 STR.-6 STR. Insulink AL. or Cu. Red-Blue; Thomas & Betts (T&B) PART# ICS71-1				
E0629-00	1,000	Insulink #2 STR-4 STR# ES2R2W #2 STR. -4 STR. Insulink Al or Cu Red-Orange Burndy# ES2R2W				
E0630-00	2,000	Insulink #2 STR-2 STR insulink Al. or Cu, Red-Red Burndy#ES2R2R; PIK11, #U1N22; ILSCO #PICS-73				
E0631-00	300	Insulink #1/0 STR-#6 SOL AL. OR CU. Yellow-Green, Burndy #ES25R6W				

COST SHEET

COMMODITY NO.	QTY.	DESCRIPTION	UNIT PRICE	DELIVERY IN DAYS (ARO)	SPECIFY MFG/PART NO.	SPECIFY IF STD PKG APPLIES
E0632-00	200	Insulink 1/0 STR-4 SOL #ES25R4W #1/0 STR -#4 SOL Insulink AL. OR CU. Yellow-Blue Burndy #ES25R4W				
E0633-00	300	Insulink #1/0 STR-4 STR #ES25R2W, #U1N104 #1/0 STR. -4 STR. Insulink AL. OR CU. Yellow -Orange, Burndy #ES25R2W				
E0634-00	1,500	Insulink 1/0 STR-2 STR #ES25R2R, #U1N102 #1/0 STR. -2 STR insulink AL. OR CU. Yellow-Red; Burndy #ES25R2R				
E0635-00	500	Insulink #1/0 STR-1/0 STR #ES25R25R #1/0 STR. -1/0 STR Insulink AL. or CU. Yellow-Yellow Burndy #ES25R25R; ABB #U1N1010				
E0639-00	2,000	Insulink #6 4 STR-#10, #8 Sol #YPCA8U #6, 4 STR. - #10, #8 SOL., CABLELOK CRIMPIT Burndy #YPC2A8U; <b>NO SUBSTITUTION</b> <b>Note: BPUB uses Burndy tool MD6 or MD6-8</b>				
E0640-00	1,000	Crimpfit #6, 4 STR - #6, 4 STR #YP2U3; #WR159				
E0641-00	1,500	Crimpfit 1/0 STR – 6-2 STR #YP26AU2; #WR189				
E0642-00	500	Crimpfit 1/0 STR-1/0 STR Cablelok #YP25U25				
E0643-00	150	Crimpfit 1/O - #4STR. #YP27AU4; ABB PART# WR259				
E0646-00	300	Crimpfit 4/0 STR-#2 STR Cablelok #YP28U2; Black Burn #WR379				

COST SHEET

COMMODITY NO.	QTY.	DESCRIPTION	UNIT PRICE	DELIVERY IN DAYS (ARO)	SPECIFY MFG/PART NO.	SPECIFY IF STD PKG APPLIES
E0647-00	300	Crimpit 4/0 STR-#2 STR Cablelok #YP28U26; BLACK BURN PART# WR399				
E0648-00	100	Crimpit 4/0 STR - #6, 4 STR UNIV #YPC28U4				
E0650-00	150	Crimpit 4/0 STR - 4/0 STR UNIV #YPC28R28A; Blackburn #WR419				
E0652-00	50	Crimpit 336-477 MCM, Penn-union KN-R6; Burndy #YHN500, Aluminum Expanded Range Press-ons Run# 2-1/0 Tap, 50 each per Box				
E0670-00	200	Sleeve #4 STR Alum tension #YSS4R; Homac #SNG44				
E0671-00	100	Sleeve #1/0 STR Aluminum tension #YDS25RL				
E0672-00	50	Sleeve #4/0 STR Aluminum Tension #YDS28RL				
E0720-00	100	Connector 477 MCM-477 MCM Al Cu Tap, Ampact #1-602031-3, <b>NO SUBSTITUTION</b>				
E0723-00	150	Connector 795 MCM-477 MCM Tap Connector with Power Booster: Burndy #WCY76PB				
E0724-00	150	Connector 795 MCM-795 MCM, Burndy Cat #WCY72PB; <b>*Must be Burndy Only*</b>				
E0727-00	150	Stirrup 1/0 STR W/ #2 bail Al to Cu with power booster, #WSM1PB; AMP #600464				

COST SHEET

COMMODITY NO.	QTY.	DESCRIPTION	UNIT PRICE	DELIVERY IN DAYS (ARO)	SPECIFY MFG/PART NO.	SPECIFY IF STD PKG APPLIES
E0728-00	15	Stirrup 4/0 STR W/ #2 Bail w/power Booster, Al-Cu; #WSM3PB; AMP #600469; Burndy #WSM3PB				
E0730-00	100	Stirrup 477 MCM W/ 1/0 bail Al to Cu with power booster, #WSL4PB; AMP #602047; Burndy #WSL4PB, TE #602047				
E0731-00	200	Stirrup 795 MCM W/ 2/0 Bail, Burndy #WSL12PB; AMPACT #602162				
E0739-00	100	Cartridge "BLUE" AMP #69338-1				
E0740-01	600	Cartridge "YELLOW" Wejtap Burndy Part #WPBYBOX25; 25/BX, <b>NO SUBSTITUTION</b>				
E0744-00	10	Cover Tap Connector "LARGE" AMP #602107				
E0790-00	15	Sleeve #477 MCM Aluminum, AAC Full Tension Sleeves Kearney #HR477-19AL; Burndy #YDS331AT;				
E0791-00	50	Sleeve #477 MCM Aluminum Jumper #HR477-19ALJ, #YCS331A				
E0792-00	150	Adapter 477 MCM Terminal #48713-8; 477 MCM Adapter Terminals 2-Hole Pad AL. TO CU. Blade Kearney #48713-8				
E0796-00	30	Sleeve #795 MCM AL jumper #HR795-37ALJ; #YCS391A <b>*must be Kearney or Burndy*</b>				
E0797-00	100	Adapter 795 MCM Terminals 2-Hole Pad AL. to CU. Blade Kearney #48713-12; Hubbell Part #VAUL100012BN				

COST SHEET

COMMODITY NO.	QTY.	DESCRIPTION	UNIT PRICE	DELIVERY IN DAYS (ARO)	SPECIFY MFG/PART NO.	SPECIFY IF STD PKG APPLIES
E0900-00	350	Arrestor URD, 15KV Cooper #3238018C10M, Hubbell 215ELA10; Maclean #8132B0010J001; Elastimold #167ESA10				
E0903-00	1,000	Bushing, URD 200 Amp #2604797B10M; #LBI215; #1601A4; URD 200 Amp 15KV Loadbreak Bushing Insert RTE; #2604797B10M; #LBI215; #1601A4; #9U02AAB001; #215BI				
E0904-00	50	Feed Thru URD 200 AMP 15KV INS 2637869C01M; LFI215; URD 200 AMP 15KV Loadbreak Rotable Feed Thru Insert RTE; Cooper Catalog #LFI215; #215FTI				
E0904-01	30	Feed Thru, 200 Amp Portable, #LPF215H, #215FT				
E0907-00	20	Adapter, Bushing 600/200A Cooper #DBA615 URD 200 Amp, 15Kv 3-Way Loadbreak Junction Rte, Hubbell Cat #915BA				
E0908-00	300	Junction URD, 200 15KV 4-way loadbreak, #164J45, #LJ215C4U; #215J4U; #2637164C13M; CPS #LJ215C4U, Hubbell #215J4U				
E0909-00	20	Junction URD deadbreak, 600 amp 15 KV #DJ625A2U; #K650J2-5; #625J2U;				
E0909-01	150	Junction URD, 600 amp 15KV 4 Way W/U-Strap, Hubbell #625J44U; Cooper #DJ625A4U; Richards #P625JD44U				
E0921-00	320	Compound Alum oxide, 4 oz bottle ILSCO/UTILCO #UDE-OX-4oz; DE-0X Oxide Inhibitor, 4 oz bottle; CMC #COOX-4				
E0922-00	300	Lubricant, cable pulling, hydra-lube, silicone based, <b>Quart size</b> , Poly Water #NN-35 or NB35 or J-35; #F-150iQTS; #GEL-QT;				

COST SHEET

COMMODITY NO.	QTY.	DESCRIPTION	UNIT PRICE	DELIVERY IN DAYS (ARO)	SPECIFY MFG/PART NO.	SPECIFY IF STD PKG APPLIES
E0922-01	50	Lubricant, cable pulling, hydra-lub, silicone based, <b>5 gal pail</b> , #F-150i5PS; #NB-35; #8263; NB640; PR640; #PPL-5-G				
E0924-00	600	Cap URD 200 amp, 15KV Protective Cap RTE #2603711A12M, Elastimold #160DRG; #215ICI; Cooper #LPC215				
E0925-00	200	Cap URD Protect 600A, Elastimold #K655DR, #625IC 8.3/14.4 KV, Cooper# DPC625				
E0926-00	800	Connector URD transformer Stud <b>with Cover</b> , secondary insulated uni-joint CMC. Polaris PSMTLSC350-65P; #NSC3506I, #PTF6-350CUP <b>Connector Must include CO-OX</b>				
E0927-00	200	Connector, URD Transformer Stud <b>with Cover</b> secondary insulated Cat #RLS500-6I; #PTF6 – 500CU; #TSB6559J10DC; #PSMTLSC00-6SP				
E0932-00	100	Connector URD Secondary 500 MCM 3 Hole, #PED-3-500P; #NA500-3I				
E0933-00	2,000	Connector URD #6STR-350MCM Pedestal #UGA6-350P; #D350-6I; Alcon #PA33-350; Polaris #PSL350-6P. Note: <b>must include CO-OX oxide inhibitor in all conductor holes</b>				
E0933-01	300	Connector, Direct Burial, W/inhibitor #PED6-350-SSP Utilco, Polaris IPLWB350-6P; CMC #SSBC350-6SI Note: <b>must include CO-OX oxide inhibitor</b>				
E0934-00	2,500	Cover pedestal for connector, Utilco# CKM; #DC6-350 <b>(Note: cover must fit connector E0933-00)</b>				
E0936-00	30	Elbow URD #2 STR 175 MIL Loadbreak, RTE #2604600B32MA; Cooper #LE215B04T, Hubbell #9U01AAD623; Hubbell #215LE43T; Richards #21LBT2A7; Elastimold #166LR-B-5220; Elastimold # 162LRB5220; Eaton #LE215AB04T,				

COST SHEET

COMMODITY NO.	QTY.	DESCRIPTION	UNIT PRICE	DELIVERY IN DAYS (ARO)	SPECIFY MFG/PART NO.	SPECIFY IF STD PKG APPLIES
E0937-00	1,500	Elbow URD 1/0 str 220 Mil Loadbreak RTE #LE215B06T; #215LE45T; #162LRB5240; #9U01AAD635; #21LBT2B9;				
E0939-00	300	Elbow URD 500 MCM 220 MIL deadbreak, Elbow RTE, Hubbell #625BTL33; #K656LRH0330; BT625G22A1, RICHARDS #62LCN2L18; TE# 15-2861G18				
E0942-00	200	Fuse Contact Flare, 3 AMP MFG# RTE-358C03; Cooper #4000358C03B, <b>NO SUBSTITUTION</b>				
E0942-01	200	Fuse Contact Flare, 8 AMP MFG# RTE-358C05; Cooper #4000358C05B; <b>NO SUBSTITUTION</b>				
E0942-02	200	Fuse Contact Flare, 10 AMP MFG# RTE-358C06; Cooper #4000353C06B, <b>NO SUBSTITUTION</b>				
E0942-03	200	Fuse Contact Flare, 15 AMP MFG# RTE-358C08; Cooper #4000358C08B, <b>NO SUBSTITUTION</b>				
E0942-04	200	Fuse Contact Flare, 25 AMP MFG# RTE-358C10; Cooper #4000358C10B, <b>NO SUBSTITUTION</b>				
E0942-05	200	Fuse Contact Flare, 50 AMP MFG# RTE-358C12; Cooper #4000358C12B, <b>NO SUBSTITUTION</b>				
E0942-06	200	Fuse Contact Flare, 65 AMP MFG# RTE-358C14; Cooper #4000353C14B, <b>NO SUBSTITUTION</b>				
E0942-07	200	Fuse Contact Flare, 100 AMP MFG# RTE-353C16; Cooper #4000353C16B, <b>NO SUBSTITUTION</b>				
E0942-08	200	Fuse Contact Flare, 140 AMP MFG# RTE-353C17; Cooper #4000353C17B, <b>NO SUBSTITUTION</b>				

COST SHEET

COMMODITY NO.	QTY.	DESCRIPTION	UNIT PRICE	DELIVERY IN DAYS (ARO)	SPECIFY MFG/PART NO.	SPECIFY IF STD PKG APPLIES
E0943-00	10	Fuse 40 Amp, NX, Clip Style, 15.5 KV #FA4H40 with Indicator, Code 5				
E0945-00	200	Fuse URD 100 amp current limiting ELSG 3593100M01M				
E0945-02	100	Fuse URD 150 amp current limiting ELSG 3594150M83M				
E0946-00	300	Bushing URD 200A 15K insulated Bushing standoff #2625063B01B; #161SOP; #215SB; #ISB215				
E0948-00	500	<b>Above Grade Secondary Pedestals,</b> Highline/Old Castle #1220A3HE1CO <b>NO SUBSTITUTION</b>				
OPTIONAL E0948-00	500	<b>Above Grade Secondary Pedestals,</b> AP#1014DG; Pencil #AG-15HDX-L35-EWB; Hubbell #SP101536MDH; Pencil #AG15HDNL000;				
E0948-01	100	<b>Enclosure grade level</b> cable with double locking device, Pencil #PE-20-HDXCL; Highline #1220A3FE1CO <b>(Note: This is for commodity E0948-02)</b>				
E0948-02	100	<b>Lid, 3 Hole Flat with Crimp Lock Plates &amp; SS Penta,</b> Head Bolt Lock, Green, Highline Cat# HDPE #1220L3FE1CO; Pencil #PE-20PLXCL; #PE20PLI075P3 <b>(Note: Lid is for commodity E0948-01)</b>				
E0948-03	100	Enclosure, Grade Level Cable, <b>"BOX ONLY"</b> MFG# PE20GSI03 GROUND SLEEVE; HIGHLINE #1220B3C0				

COST SHEET

COMMODITY NO.	QTY.	DESCRIPTION	UNIT PRICE	DELIVERY IN DAYS (ARO)	SPECIFY MFG/PART NO.	SPECIFY IF STD PKG APPLIES
E0948-04	200	Lid, <b>DOME</b> Cover with Crimplock Model 1220 Highline Part #1220L3HE1CO L 22 5/8" X W14 5/8" X H14 3/4" HIGHLINE/OLD CASTLE# 1220A3FE1CO <b>NOTE: Any equal brand name MUST FIT Enclose Grade Pedestal part number, E0948-00</b>				
E0959-00	200	Termination, 1/0 STR outdoor cable, cold shrink silicone terminator kit (skirted) with connector, <b>Must be 3M #5641-1/0, Only</b>				
E0960-00	800	Sleeve URD 350 MCM splice kit –flood-seal cover kit, homage splice 1-350 set screw w/cover, #USPA-350SSP; #ULS2-350I; #ISW350P; Penn-Union #PEU ULS2350				
E0961-00	150	Splice URD, 1/0 to #2STR., 3M Cat #CI-T-4 Transition Connector				
E0962-00	100	Splice URD #2 STR 175M #SP15A002 3M Brand# 5411-C1-2				
E0963-00	100	Splice Cold Shrink, SSC Series Richard #62SSCN0R1; TE/Raychem #CSJA-JCN/EG-1511M4				
E0964-00	100	Splice Cable Elastimold #15PCJ1L1330 500 MCM, #2602877B14M; 15 KV 220 MIL ALUM.				
E0964-01	100	Splice Kit, Wrap Around Gel 8" Sleeve Length, #14-4/0 Conductor Size, Model# WAGS-4/0-8, ASIN# B008KNJVBI <b>NO SUBSTITUTION</b>				
E0964-02	100	Splice Kit, Wrap Around Gel 10" Sleeve Length, 6-500 Conductor, Model # WAGS-500-10, ASIN# B008KNJVRW <b>NO SUBSTITUTION</b>				

COST SHEET

COMMODITY NO.	QTY.	DESCRIPTION	UNIT PRICE	DELIVERY IN DAYS (ARO)	SPECIFY MFG/PART NO.	SPECIFY IF STD PKG APPLIES
E0965-00	400	Bracket URD Conduit Standoff Aluma-Form #6-CSO-12; Barfield #BASOCL6-12H				
E0965-01	100	Strap URD 2" conduit kit, #STK-2; #CSTK2; #BA5CSB-2				
E0965-02	150	Strap URD 2.5" Conduit, Aluma-Form #STK-2.5				
E0966-00	200	Strap URD 4" Conduit Kit #STK-4; #BA5CSB-4				
E0967-00	150	Strap URD 6" Conduit Kit #STK-6; CSTK6 Aluma-Form; #BA5CSB-6				
E0968-00	30	120" 4 WAY T-SLOT, Special Padmount, #4WT- 120 Aluma-Form				
E0970-00	40	Cabinet, Single Phase Aluminum Maysteel #CC33018TH(RS)AL <b>.125 Aluminum</b> TRINETICS # 63294303; BARFIELD #183030SP				
E0973-00	50	Cabinet URD 3Phase 15KV 200 Amp Trinetics/Maysteel #CW360-18 <sup>TH</sup> ( R ) AL Std; 60" wide <b>aluminum enclosure, 0.090"</b> thickness; Munsell 7GY 3.29/1.5 Green Paint ANSI C57.12.28 Dimensions <b>30"Hx60"Wx18"D</b> ; Must come with Sstl Hinges, lifting nuts, ground nuts, carriage bolts, screw, & washer; Trinetic #63294307;				
E0974-00	50	Cabinet URD 3Phase 15KV 600 Amp Trinetics/Maysteel #CC366-22 <sup>TH</sup> ( R ) AL Std; 66" wide <b>Aluminum enclosure, 0.125"</b> thickness; Munsell 7GY 3.29/1.5 Green Paint ANSI C57.12.28 Dimensions <b>30"Hx66"Wx22"D</b> ; must come with Sstl Hinges, lifting nuts, ground nuts, carriage bolts, screw, & washer. Trinetic #63294310				

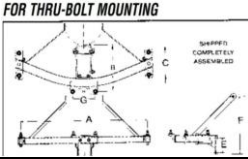
COST SHEET

COMMODITY NO.	QTY.	DESCRIPTION	UNIT PRICE	DELIVERY IN DAYS (ARO)	SPECIFY MFG/PART NO.	SPECIFY IF STD PKG APPLIES
E0975-00	50	Tape URD Electric Red 6" X 1000' roll, Non-Det, tape to read "Caution Buried Electric Line Below" #B6104R6; #STR361; Alma #1006; Empire#22-130				
E0976-00	1,000	Marker, White Phase, 25/Pack Without Ties, Riser and Phase Marker, Blank Markers, ELECTROMARK #PHASE-B1-PB-WHT <b>NO SUBSTITUTION</b>				
E0976-01	1,000	Marker, Blue Phase, 25/Pack Without Ties, Riser and Phase Marker, Blank Markers, ELECTROMARK PHASE-B1-PB-BLU <b>NO SUBSTITUTION</b>				
E0976-02	1,000	Marker, Red Phase, Without Ties, Riser and Phase Marker, Blank Markers, ELCTROMARK PHASE-B1-PB-RED <b>NO SUBSTITUTION</b>				
E0984-00	30	Lug, Terminal URD 4/0 STR, 2-HOLE Burndy #YA282N; TYCO# TCTL2-4/0-1/2-1V-U				
E0984-01	10	Lug, Terminal 1/0 STR. KEARNEY/COOPER CAT#104741-2 <b>NO SUBSTITUTION</b>				
E0985-00	50	Lug, Terminal URD 500 MCM, 2 HOLE Connector App. Dimensions: Terminal 3-1/4" X Barrel 3-3/4"L KEARNEY #40133-1, BURNDY #YCA361R-2N; PENN-UNION #FULA-050-D (barrel must be 2.5") <b>NO SUBSTITUTION</b>				
E0985-01	60	Lug, Terminal URD 500 KCMILL, 2 Hole Aluminum, 2 Holes, 1/2" Stud, 1-3/4" Spacing AL9CU; Part #YA34A3, <b>NO SUBSTITUTION</b>				
E0986-00	10	Terminator, 500 MCM 15 KV URD, Indoor, Cold Shrink Termination Kit, <b>Must be 3M#7644T110</b> <b>NO SUBSTITUTION</b>				

COST SHEET

COMMODITY NO.	QTY.	DESCRIPTION	UNIT PRICE	DELIVERY IN DAYS (ARO)	SPECIFY MFG/PART NO.	SPECIFY IF STD PKG APPLIES
E0986-01	10	Terminator, 500 MCM 15 KV URD, Outdoor Cold Shrink Termination Kits, 3M#7654-S-4 <b>NO SUBSTITUTION</b>				
E0987-00	10	LUG, 500 MCM Copper 2-Hole, Burndy #YA342N, <b>NO SUBSTITUTION</b>				
E0990-00	250	Terminal URD 350 MCM #USG-350; #L1M2-350 Barfield				
E0994-00	50	Lug URD Terminal 350 MCM Part# K3A31U-4N, 3 Barrel 4 hole, Part# L3M4-350, ILSCO PART# T3A4-350N				
E0995-00	50	Lug URD Terminal 500 MCM 3-Barrel 4-Hole, CMC/ESP CAT #L3D4-500I; IlSCO/Utilco Cat# USG2-500C43				
E0996-00	200	Pad URD Transformer, DIVERSITECH #F4848-4CSL1228T, Delivery MUST BE on a FLAT BED TRAILER <b>NO SUBSTITUTION</b>				
E1010-00	100	Anchor 3 Helix Power, 3-helix square shaft #J23381ACA; #P012642AEJ; Hubbell# AD588N; Maclean # D-6636				
E1011-00	100	Adapter power anchor guy, Dixie #D-6606-US; Allied #3567				
E1012-00	100	Extension 3-½' power anchor SS, galvanized steel, 1 ½" x 3 ½', #C12655; #D6616U; Allied #3560				
E1013-00	100	Extension 5' power anchor SS, galvanized steel, 1 ½" x 5', SS5; #C12656; #J23378-5; #D-6620-U; Allied #3561				
E1014-00	100	Extension 7' power anchor SS, galvanized steel, 1 ½" x 7' #C12657; Maclean #D6625U				

COST SHEET

COMMODITY NO.	QTY.	DESCRIPTION	UNIT PRICE	DELIVERY IN DAYS (ARO)	SPECIFY MFG/PART NO.	SPECIFY IF STD PKG APPLIES
E1019-00	60	Mount 3-Phase equipment Aluma-Form #R3CA48; #BT3CA48 (Must come W/complete hardware & braces) 				
E1024-00	200	Brace Crossarm Angle, #J1508; Hubbell #6979; Allied #8415/8515				
E1031-00	60	Capacitor 200 KVAR 7200V; double bushing with a BIL rating of 95 kV # CEP140A6; Hitachi #2GUA072200D220				
E1031-01	10	Capacitor 400 KVAR, 7200V, 60HZ 95KV Bill, Cooper# CEP170A6FD 95KV Bill, Cooper# CEP170A6FD				
E1031-02	10	Capacitor 100 KVAR, 7200V Eaton CEP131A6; ABB #2GUA072100G220				
E1033-00	3	Rack 3-Unit Capacitor Aluma-Form #CR3				
E1037-00	500	Clamp 1/0-4/0 AL straight line deadend strain clamp, #ADS-60-N; Maclean# ASD-34-N; GPP #SAC60N				
E1038-00	200	Clamp 477 MCM straight line deadend strain clamp, Bethea #ASD45N; #ADS-88-N;				
E1039-00	300	Clamp 795 MCM straight line deadend strain clamp, #ASD-58-N; #ADS116N;				
E1045-00	100	Clamp, 4/0 STR. Hot Line, Misc. Item Suspension Clamp Anderson/Hubbell #S1530CC; Blackburn #HLC3974; Maclean #C1530				

COST SHEET

COMMODITY NO.	QTY.	DESCRIPTION	UNIT PRICE	DELIVERY IN DAYS (ARO)	SPECIFY MFG/PART NO.	SPECIFY IF STD PKG APPLIES
E1050-00	300	Crossarm 8' FT wooden heavy duty D.F, 4-3/4" x 5-3/4" x 8', 2 pin as per BPUB specs drawing No. Eng-4; <b>Specifications located at the end of the document</b>				
E1051-00	100	Crossarm 10' FT wooden heavy duty D.F., 4-3/4" x 5-3/4" x 10' as per BPUB specs drawing No. Eng-10 <b>Specifications located at the end of the document</b>				
E1059-00	150	Insulator fiberglass strain, (one pin and one roller at each end) #GCC21-78R; #GS210-78CC1 (One Pin and One Roller at Each End)				
E1075-00	20	Switch Capacitor 200 AMP, Ultravac Maysteel #33247402, ABB Type PS15-1AMBC-2121s, 200A Oil-less Switch w/120V Motor Operator, 5 Pin Receptacle & 2 WILD LFR Guards, Manual Open/Close with a Visual Indication Status Contact <u>Must Report</u> Change of Status Regardless if the Device was Opened or Closed Manually or Electronically; Cooper #ECSA222BC1				
E1075-01	15	Switch Capacitor 400 KVAR, 7200V, 60HZ 95KV Bill, Cooper# CEP170A6FD 3,4, 6 <b>NO SUBSTITUTION</b>				
E1083-00	200	Plate Pole Eye #PEP-66-45; Allied #22006				

COST SHEET

COMMODITY NO.	QTY.	DESCRIPTION	UNIT PRICE	DELIVERY IN DAYS (ARO)	SPECIFY MFG/PART NO.	SPECIFY IF STD PKG APPLIES
E1085-00	15	Switch 3-PH, 15KV, <b>900 AMP</b> , Mfg# AR114FFCPL. Which, it is described below: Gang Operated Type AR (Automation-Ready) 1 – Clockwise 1 – Horizontal mounting 4 – 150 KV Polymer (29 KV) F – Fiberglass crossarm and interphase shaft F – Control with fiberglass universal top section (as shown on sheet 01) C – Control Insulator P – Additional 7 Ft / 2134 mm of control pipe, coupling guide assembly and hardware L – Surge arrester brackets <b>NO SUBSTITUTION</b>				
E1086-00	2	Switch 3 Phase 15KV <b>1,200 AMP</b> ROYAL #SBF2312 M-Force Switch or Chance Overhead Switches, Gang-Operated Type AR(Automation-Ready) Switch, 14.4 KV, 900 Amperes Continuous/Interrupting, Horizontal Mounting W/Hookstick Operated Control – Option "C" P/N E801-3397 Siemens Part# 973X-31AT,				
E1087-00	10	Switch Hook <b>600 Amp</b> Disconnect, Chance #M3D64B; Royal Switchgear # LTT65PAA; Siemen #402-02XXT; Aluma Form #HDS-600A-38S-150-DS1D				
E1094-00	10	Clamp End Fitting #J1502; #SWG205 Allied Part # 1437				

COST SHEET

COMMODITY NO.	QTY.	DESCRIPTION	UNIT PRICE	DELIVERY IN DAYS (ARO)	SPECIFY MFG/PART NO.	SPECIFY IF STD PKG APPLIES
E1098-00	288	Foam Pole, Backfill Setting Kits Poly Set #PS-240 for 8 Cubic Feet to Include: 1- 6 Gal Jug, 1- 2 Gal. Jug, 1- pair of Vinyl Gloves, 1- Wooden Stir Stick; 1- Metal Drill Mixer One Lot = 16 ea <b>(NO SUBSTITUTION)</b>				
E1098-01	288	Foam Pole, Back Fill Straightening Kits Poly Set #PS-215 for 3 cubic Feet; to include: 1-1 Gal Jug, 1-2 Gal Plastic Jug 1-pair Vinyl Gloves, 1-Wooden Stir Stick 1-Metal Drill Mixer One Lot = 48 ea <b>(NO SUBSTITUTION)</b>				
E1116-00	100	Shackles Anchor, Anderson Part# AS25L; #AS-2; Maclean #MPS ASH-55				
E1136-00	40	Switch <b>1200 AMP</b> Disconnect #Royal #13008CSTD Royal Switchgear #13008CSCI100.A 23KV 1200A BT 53"; MORPAC DHS2312				
E1145-00	300	Clamp Fiber Optic Tangent #44009823, #FOSC 6055-PB; AFL #ATGN 526/575; Mosdorfer #FOSC0575; Hubbell #HUBSUSF201				
E1202-00	20	Arm 4 FT Street Light, Wood Pole Mount Alum. Light Brackets 2" SCH. 40 Pipe With Ground Lug, 2" X 4'; Curlee #2004824(G); SALCO WP-2-4-A				
E1203-00	50	Arm 6 ft Street Light Wood Pole Mounting #P125S060, SALCO# WP-125-6S; MPS #S-125-6G				
E1204-00	10	Arm 1-1/4" X 12' Street Light#J762012; #S12512DG, Street Light, Wood Pole Mounting; SALCO #WPDG-125-12-S				

COST SHEET

COMMODITY NO.	QTY.	DESCRIPTION	UNIT PRICE	DELIVERY IN DAYS (ARO)	SPECIFY MFG/PART NO.	SPECIFY IF STD PKG APPLIES
E1205-00	10	Arm 14` Street Light; #J762014 SALCO #WPDG-125-14-A (ALUMINUM)				
E1206-00	20	Bracket Double Floodlight Mounting CAT. #DA-32.5				
E1207-00	50	Bracket Alum. Floodlight, Curlee FL200189G, SALCO #WPF-2-1.5-A-GRM; AMI-462A <b>must come with bolt sets (hardware)</b>				
E1239-00	200	Lamp LED, For Historical Fixtures (E1259-00) GE CAT# 22622, LED115ED28/740 <b>“NO SUBSTITUTE”</b>				
E1240-00	200	Photocell Fiberglass Pole Mount, Intermatic# K4021C; Fisher Pierce #FPFA105				
E1241-00	50	Photocell, 120V Wall mount, Intermatic #K4221C				
E1242-01 LED Photocell	3,000	Photocell LED 1000W, <b>120/208/240/277V</b> Manufacturer: Ripley Lighting Controls Model #: 6390LL-BK; voltage range 105-305 Description: Microprocessor Controlled Longlife II Photocontrol – (120 – 277V), Intermatic #EK4536KJ <b>“NO SUBSTITUTE”</b>				
E1243-01 LED Photocell	150	Photocell LED, 1000W 480V, Voltage Range 432-528; Manufacturer: Ripley Lighting Controls Model #: 6394LL Description: Microprocessor Controlled Longlife II Photocontrol – (480V), <b>“NO SUBSTITUTE”</b>				

COST SHEET

COMMODITY NO.	QTY.	DESCRIPTION	UNIT PRICE	DELIVERY IN DAYS (ARO)	SPECIFY MFG/PART NO.	SPECIFY IF STD PKG APPLIES
E1259-00	30	Fixture 250W HPS Historic Type 120V, Black With 4" X 6" Long Aluminum Tenon Adapter; Spectrum Lighting# L5944BH & Area Lighting #ALN445H3-250HPS120BLK, ELA #5944MN, PART# MED/17/PT-MOD/V5/120LED/40/120/CG/MN  <b>“NO SUBSTITUTE”</b>  To be released as needed and be billed as such. BPUB will not accept a full shipment.				
E1365-00	1,000	Cap Barrel Lock W/End Brooks #8509910 <b>NO SUBSTITUTION</b>				
E1366-00	1,000	Cap Barrel Lock W/O End Brooks #8509900 <b>NO SUBSTITUTION</b>				
E1367-00	1,000	CAP Heavy Duty Slotted End, Brooks #8720000 <b>NO SUBSTITUTION</b>				
E1368-00	1,000	Adapter T- Shape W/Seal, Brooks #8750000 <b>NO SUBSTITUTION</b>				
E1369-00	1,000	Cap Weather For Barrel Lock, Brooks #683 <b>NO SUBSTITUTION</b>				

COST SHEET

COMMODITY NO.	QTY.	DESCRIPTION	UNIT PRICE	DELIVERY IN DAYS (ARO)	SPECIFY MFG/PART NO.	SPECIFY IF STD PKG APPLIES
E0969-01	15	<p>SWITCHGEAR, 3PH Outdoor Padmount, 15 KV2SD-<b>MOSTF-9</b>-OIL-SS-6/200A-2D, 6-600 AMP Source Bushing and 6-200 AMP Tap Bushings, 2-3PH Oil Switches, 3-ELSG Fuseholders; Std. Fault Indicator-Provisions, Two Sided, Top Hinged Doors, 304 STAINLESS STEEL CONSTRUCTION <u>(304 SSSL Enclosure - TANK &amp; LID)</u></p> <p><b>COOPER MOST 9 - OIL TYPE</b> SIZE 42.5HX62.5WX68.5D COOPER MODEL # KP00320L10G62A</p> <p>TRAYER CATALOG PART# 802B9M22WXY Trayer #802B9M22FLWXY must come with six additional blue grommets per unit, for multi-barrel fuses rated up to 200A, OR EQUAL</p> <p><b>Specifications located at the end of the document</b></p>				
E0972-01	3	<p>SWITCHGEAR, 3 Phase Outdoor 15KV-2SD-<b>MOST11</b> OIL-SS-600/200-2D Padmount, 15 KV, (3 EA) 600-Amp Source Bushing and (1 EA) 200 Amp Tap Bushings, Stainless Steel Construction (Tank 7 Lid)</p> <p><b>COOPER MOST 11 - OIL TYPE</b> SIZE 42.5HX62.5WX74.5D MODEL# KP00320L12G09A TRAYER CAT #802E11M15FLWXY 802E11M15FLWXY OR EQUAL</p> <p><b>Specifications located at the end of the document</b></p>				

**Special Instructions:**

- **IF YOU ARE NOT BIDDING THE SPECIFIED BRAND NAME, THE BPUB MAY REQUEST A “CUT SHEET” FROM THE PRODUCT YOU ARE BIDDING ON.**
- **VENDOR IS REQUIRED TO SUBMIT “CUT SHEET” WITHIN TWO (2) BUSINESS DAYS FROM NOTIFICATION IN ORDER FOR VENDOR’S ITEM TO BE CONSIDERED.**
- **VENDOR SHALL NOT WITHDRAW THEIR BID WITHIN 90 DAYS FROM THE OPENING DATE. DILIGENCE IS HIGHLY RECOMMENDED.**

Material is to be released as requested and be billed as such. The noted quantities are based on a yearly usage, the Purchase Order quantities are subject to BPUB’s right to increase or decrease as deemed necessary. Stipulate below, if an increase or decrease in quantity affects bid price:

- (\_\_\_\_) Yes, an increase or decrease in quantity affects bid price.
- (\_\_\_\_) No, an increase or decrease in quantity will not affect bid price.

Price shall remain firm for 12 months after date of purchase order.

Company Name: \_\_\_\_\_

Authorized Company Representative: \_\_\_\_\_  
Print Name

Authorized Company Representative: \_\_\_\_\_  
Signature \*Failure to sign bid will disqualify it\*

Company Address: \_\_\_\_\_

\_\_\_\_\_

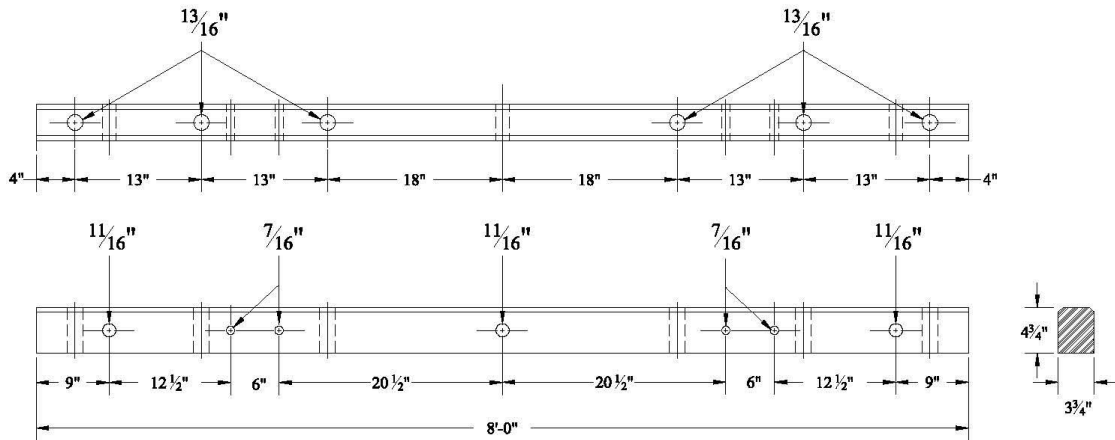
Telephone #: \_\_\_\_\_

Fax #: \_\_\_\_\_

Email: \_\_\_\_\_

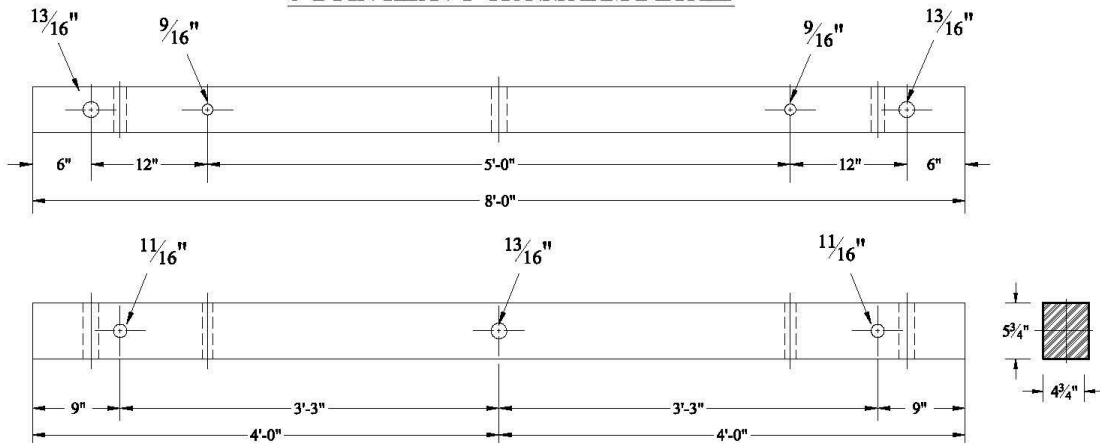
**BROWNSVILLE PUBLIC UTILITIES BOARD  
ELECTRICAL ENGINEERING DEPARTMENT**

**8' 6 PIN DISTRIBUTION CROSSARM DETAIL**





**MATERIAL:** DOUGLAS FIR-DENSE SELECT STRUCTURAL GRADE  
**TREATMENT:** EEI SPEC. T.D.90 HOT & COLD PENTA DIPPED  
**INCISING:** ALL FOUR FACE SPACING 1/2" ALTERNATING, DEPTH 3/16" MIN, 1/4" MAX.

**8' 2 PIN HEAVY CROSSARM DETAIL**



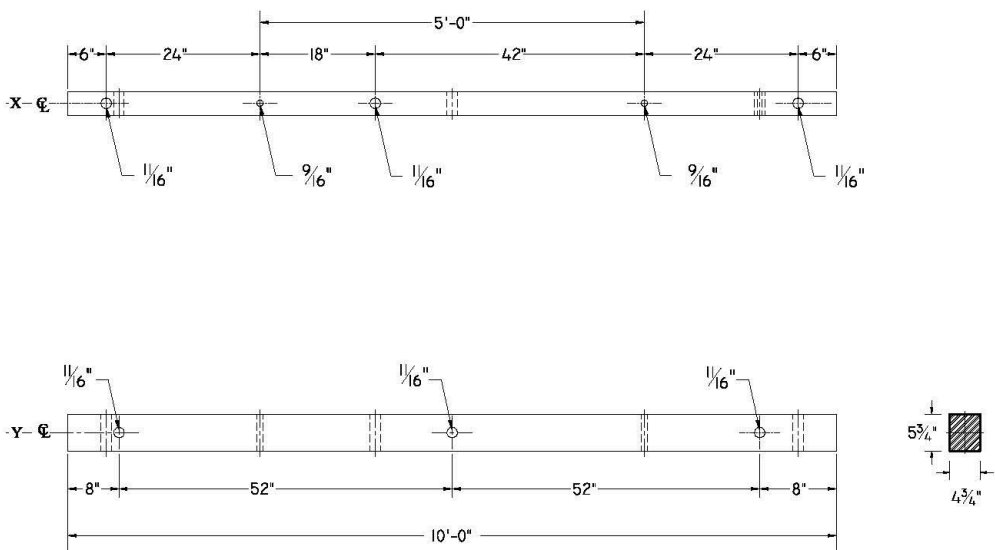
**MATERIAL:** DOUGLAS FIR-DENSE SELECT STRUCTURAL GRADE  
**TREATMENT:** EEI SPEC. T.D.90 HOT & COLD PENTA DIPPED  
**INCISING:** ALL FOUR FACE SPACING 1/2" ALTERNATING, DEPTH 3/16" MIN, 1/4" MAX.

**NOTE:** FIELD DRILL AS REQUIRED

	<b>CROSSARM DETAILS</b> <b>8' 6 PIN DISTRIBUTION CROSSARM DETAIL</b> <b>8' 2 PIN HEAVY CROSSARM DETAIL</b>	DEVELOPED BY:	STANDARDS COMMITTEE	
		APPROVED: Rev.1	18-DEC-07	
		DRAWING NUMBER	ENG-4	

**BROWNSVILLE PUBLIC UTILITIES BOARD  
ELECTRICAL ENGINEERING DEPARTMENT**

**10 FT HEAVY DUTY CROSSARM DETAIL**



MATERIAL: DOUGLAS FIR-DENSE SELECT STRUCTURAL GRADE  
TREATMENT: EEI SPEC. T.D.90 HOT & COLD PENTA DIPPED  
INCISING: ALL FOUR FACE SPACING 1/2" ALTERNATING, DEPTH 3/16" MIN, 1/4" MAX.

**SCALE: 1:2**



**CROSSARM DETAILS  
10 FT HEAVY DUTY CROSSARM**

DEVELOPED BY:

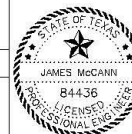
**STANDARDS  
COMMITTEE**

APPROVED:

17-Jan-08

DRAWING  
NUMBER

**ENG-10**



### ORDERING INFORMATION

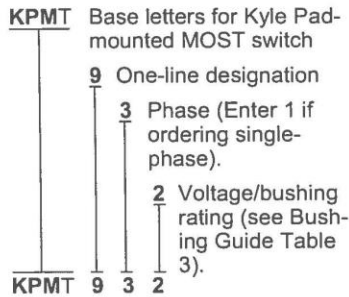
To order a Type MOST Pad-mounted Switch:

1. Refer to Tables 2 or 4. Select the one-line diagram that meets your requirements for switching capability and bushing configuration. Then select operating voltage (kV). This establishes the base catalog number as seen below.
2. From Table 5, select fusing requirements.
3. From Table 6, select optional accessories required.

Ordering example: The MOST-9, three-phase, 15 kV switch with optional ground rod would be ordered as follows:

Quantity:  
1-KPMT932  
1-KPA1037-X

### Constructing a Catalog Number



KPMT932 is the base catalog number for a model 9 three-phase, 15 kV MOST Switch with 600-amp source bushings and 200-amp tap bushings.

**TABLE 2**  
**MOST Selection and Ordering Guide\***

Model	One-Line Diagram	Voltage (kV)	H/W/D** (In.)	Typical Catalog Number***
3		15	42/32/76	KPMT331
		25	44/40/87	KPMT334
		35	44/40/75	KPMT339
4		15	42/32/64	KPMT433
		25	44/40/75	KPMT436
		35	44/40/75	KPMT439
4A		15	42/62/64	KPMT4A33
		25	44/70/75	KPMT4A36
		35	44/70/75	KPMT4A39
5		15	42/32/64	KPMT533
		25	44/40/75	KPMT536
		35	44/40/75	KPMT539
6		15	42/62/70	KPMT632
		25	44/70/81	KPMT635
		35	44/70/75	KPMT639
6B		15	42/62/70	KPMT6B32
		25	44/70/81	KPMT6B35
		35	44/70/75	KPMT6B39
7		15	42/62/70	KPMT732
		25	44/70/81	KPMT735
		35	44/70/75	KPMT739
7B		15	42/62/70	KPMT7B32
		25	44/70/81	KPMT7B35
		35	44/70/75	KPMT7B39
8		15	42/62/70	KPMT832
		25	44/70/81	KPMT835
		35	44/70/75	KPMT839
8B		15	42/62/70	KPMT8B32
		25	44/70/81	KPMT8B35
		35	44/70/75	KPMT8B39
9		15	42/62/70	KPMT932
		25	44/70/81	KPMT935
		35	44/70/75	KPMT939
9A		15	42/62/64	KPMT9A33
		25	44/70/75	KPMT9A36
		35	44/70/75	KPMT9A39
9B		15	42/62/70	KPMT9B32
		25	44/70/81	KPMT9B35
		35	44/70/75	KPMT9B39

\* Contact Cooper Power Systems Sales Representative for information on configurations not listed.

\*\* Approximate overall dimensions for typical units. For footprint, reduce the "D" dimension by two inches.

\*\*\* Maximum continuous and switching current ratings are 600A for 15 kV, 300A for 25 kV, and 200A for 35 kV. For 35 kV units, catalog number and dimensions shown are for units with 200A source and tap bushings. 35 kV units will be supplied with three-phase rated 200A one-piece bushings as standard; however, 600A, 35 kV source bushings are available if required.

**TABLE 2**  
**MOST Selection and Ordering Guide\* (continued)**

Model	One-Line Diagram	Voltage (kV)	H/W/D** (in.)	Typical Catalog Number***
10		15	42/62/76	KPMT1031
		25	44/70/87	KPMT1034
		35	44/70/75	KPMT1039
11		15	42/62/76	KPMT1132
		25	44/70/87	KPMT1135
		35	44/70/75	KPMT1139
11B		15	42/62/76	KPMT11B32
		25	44/70/87	KPMT11B35
		35	44/70/75	KPMT11B39
12		15	44/62/91	KPMT1232
		25	44/70/104	KPMT1235
		35	44/70/98	KPMT1239
12B		15	44/62/91	KPMT12B32
		25	44/70/104	KPMT12B35
		35	44/70/98	KPMT12B39
13		15	42/62/76	KPMT1331
		25	44/70/87	KPMT1334
		35	44/70/75	KPMT1339
13A		15	42/62/76	KPMT13A31
		25	44/70/87	KPMT13A34
		35	44/70/75	KPMT13A39
14		15	42/62/70	KPMT1432
		25	44/70/81	KPMT1435
		35	44/70/75	KPMT1439
15		15	44/62/85	KPMT1533
		25	44/70/98	KPMT1536
		35	44/70/98	KPMT1539
15B		15	44/62/91	KPMT15B32
		25	44/70/104	KPMT15B35
		35	44/70/98	KPMT15B39

\* Contact Cooper Power Systems Sales Representative for information on configurations not listed.  
 \*\* Approximate overall dimensions for typical units. For footprint, reduce the "D" dimension by two inches.  
 \*\*\* Maximum continuous and switching current ratings are 600A for 15 kV, 300A for 25 kV, and 200A for 35 kV. For 35 kV units, catalog number and dimensions shown are for units with 200A source and tap bushings. 35 kV units will be supplied with three-phase rated 200A one-piece bushings as standard; however, 600A, 35 kV source bushings are available if required.

**TABLE 3**  
**Bushing Guide**

KV	Amperage Rating (Source/Tap)		
	600A/200A	600A/600A	200A/200A
15	2	1	3
25	5	4	6
35	8	7	9

**REQUIRED FORMS  
CHECKLIST**

The following forms are to be submitted as a part of the Bid/RFP/RFQ document

NAME	FORM DESCRIPTION	SUBMITTED WITH BID	
		YES	NO
Legal Notice	Acknowledgement Form	<input type="checkbox"/>	<input type="checkbox"/>
	Debarment Certification	<input type="checkbox"/>	<input type="checkbox"/>
	Ethics Statement	<input type="checkbox"/>	<input type="checkbox"/>
	Conflict of Interest Questionnaire	<input type="checkbox"/>	<input type="checkbox"/>
	Certification of Interested Party Form 1295	<input type="checkbox"/>	<input type="checkbox"/>
	Residence Certification Form	<input type="checkbox"/>	<input type="checkbox"/>
	State Law Verification	<input type="checkbox"/>	<input type="checkbox"/>
	House Bill 89	<input type="checkbox"/>	<input type="checkbox"/>
	W9 or W8 Form	<input type="checkbox"/>	<input type="checkbox"/>
Special Instructions	Bid Schedule/Cost sheet completed and signed	<input type="checkbox"/>	<input type="checkbox"/>
	Cashier Check or Bid Bond of 5% of Total Amount of Bid (if applicable)	<input type="checkbox"/>	<input type="checkbox"/>
	OSHA 300 Log (if applicable)	<input type="checkbox"/>	<input type="checkbox"/>
	Contractor Pre-Bid Disclosure completed, signed and notarized (if applicable)	<input type="checkbox"/>	<input type="checkbox"/>
	Sub-Contractor Pre-Bid Disclosure completed, signed, and notarized (if applicable)	<input type="checkbox"/>	<input type="checkbox"/>
		<input type="checkbox"/>	<input type="checkbox"/>
References	Complete the Previous Customer Reference Worksheet for each reference provided	<input type="checkbox"/>	<input type="checkbox"/>
Addenda			

**ETHICS STATEMENT**

**(THIS FORM MUST BE COMPLETED IN ITS ENTIRETY AND SUBMITTED WITH BID RESPONSE)**

The undersigned bidder, by signing and executing this bid, certifies and represents to the Brownsville Public Utilities Board that bidder has not offered, conferred or agreed to confer any pecuniary benefit, as defined by (1.07 (a) (6) of the Texas Penal Code, or any other thing of value as consideration for the receipt of information or any special treatment of advantage relating to this bid; the bidder also certifies and represents that the bidder has not offered, conferred or agreed to confer any pecuniary benefit or other thing of value as consideration for the recipient's decision, opinion, recommendation, vote or other exercise of discretion concerning this bid, the bidder certifies and represents that bidder has neither coerced nor attempted to influence the exercise of discretion by any officer, trustee, agent or employee of the Brownsville Public Utilities Board concerning this bid on the basis of any consideration not authorized by law; the bidder also certifies and represents that bidder has not received any information not available to other bidders so as to give the undersigned a preferential advantage with respect to this bid; the bidder further certifies and represents that bidder has not violated any state, federal, or local law, regulation or ordinance relating to bribery, improper influence, collusion or the like and that bidder will not in the future offer, confer, or agree to confer any pecuniary benefit or other thing of value of any officer, trustee, agent or employee of the Brownsville Public Utilities Board in return for the person having exercised their person's official discretion, power or duty with respect to this bid; the bidder certifies and represents that it has not now and will not in the future offer, confer, or agree to confer a pecuniary benefit or other thing of value to any officer, trustee, agent, or employee of the Brownsville Public Utilities Board in connection with information regarding this bid, the submission of this bid, the award of this bid or the performance, delivery or sale pursuant to this bid.

**THE BIDDER SHALL DEFEND, INDEMNIFY, AND HOLD HARMLESS THE BROWNSVILLE PUBLIC UTILITIES BOARD, ALL OF ITS OFFICERS, AGENTS AND EMPLOYEES FROM AND AGAINST ALL CLAIMS, ACTIONS, SUITS, DEMANDS, PROCEEDING, COSTS, DAMAGES, AND LIABILITIES, ARISING OUT OF, CONNECTED WITH, OR RESULTING FROM ANY ACTS OR OMISSIONS OF CONTRACTOR OR ANY AGENT, EMPLOYEE, SUBCONTRACTOR, OR SUPPLIER OF CONTRACTOR IN THE EXECUTION OR PERFORMANCE OF THIS BID.**

I have read all of the specifications and general bid requirements and do hereby certify that all items submitted meet specifications.

COMPANY: \_\_\_\_\_  
AGENT NAME: \_\_\_\_\_  
AGENT SIGNATURE: \_\_\_\_\_  
ADDRESS: \_\_\_\_\_  
CITY: \_\_\_\_\_  
STATE: \_\_\_\_\_ ZIP CODE: \_\_\_\_\_  
TELEPHONE: \_\_\_\_\_ TELEFAX: \_\_\_\_\_  
FEDERAL ID#: \_\_\_\_\_ AND/OR SOCIAL SECURITY #: \_\_\_\_\_

**DEVIATIONS FROM SPECIFICATIONS IF ANY:**

**NOTE: QUESTIONS AND CONCERNS FROM PROSPECTIVE CONTRACTORS SHOULD BE RAISED WITH OWNER AND ITS CONSULTANT (IF APPLICABLE) AND RESOLVED IF POSSIBLE, PRIOR TO THE BID SUBMITTAL DATE. ANY LISTED DEVIATIONS IN A FINALLY SUBMITTED BID MAY ALLOW THE OWNER TO REJECT A BID AS NON-RESPONSIVE.**

**CERTIFICATION REGARDING DEBARMENT, SUSPENSION, AND OTHER  
RESPONSIBILITY MATTERS (THIS FORM MUST BE COMPLETED IN ITS ENTIRETY  
AND SUBMITTED WITH BID RESPONSE)**

Name of Entity: \_\_\_\_\_

The prospective participant certifies to the best of their knowledge and belief that they and their principals:

- a) Are not presently debarred, suspended, proposed for debarment, declared ineligible, or voluntarily excluded from covered transactions by any Federal department or agency;
- b) Have not within a three year period preceding this bid been convicted of or had a civil judgment rendered against them for commission of fraud or a criminal offense in connection with obtaining, attempting to obtain, or performing a public (Federal, State, or Local) transaction or contract under a public transaction; violation of Federal or State antitrust statutes or commission of embezzlement, theft, forgery, bribery, falsification or destruction of records, making false statements, or receiving stolen property;
- c) Are not presently indicted for or otherwise criminally or civilly charged by a government entity (Federal, State, Local) with commission of any of the offenses enumerated in paragraph (1) (b) of this certification; and
- d) Have not within a three year period preceding this application/bid had one or more public transactions (Federal, State, or Local) terminated for cause or default.

I understand that a false statement on this certification may be grounds for rejection of this bid or termination of the award. In addition, under 18 USC Section 1001, a false statement may result in a fine up to a \$10,000.00 or imprisonment for up to five (5) years, or both.

---

\_\_\_\_\_  
Name and Title of Authorized Representative (Typed)

---

Signature of Authorized Representative

---

Date

---

**I am unable to certify to the above statements. My explanation is attached**



**CONFLICT OF INTEREST QUESTIONNAIRE**  
**For vendor doing business with local governmental entity**

A complete copy of Chapter 176 of the Local Government Code may be found at <http://www.statutes.legis.state.tx.us/Docs/LG/htm/LG.176.htm>. For easy reference, below are some of the sections cited on this form.

**Local Government Code § 176.001(1-a):** "Business relationship" means a connection between two or more parties based on commercial activity of one of the parties. The term does not include a connection based on:

- (A) a transaction that is subject to rate or fee regulation by a federal, state, or local governmental entity or an agency of a federal, state, or local governmental entity;
- (B) a transaction conducted at a price and subject to terms available to the public; or
- (C) a purchase or lease of goods or services from a person that is chartered by a state or federal agency and that is subject to regular examination by, and reporting to, that agency.

**Local Government Code § 176.003(a)(2)(A) and (B):**

(a) A local government officer shall file a conflicts disclosure statement with respect to a vendor if:

\*\*\*

(2) the vendor:

(A) has an employment or other business relationship with the local government officer or a family member of the officer that results in the officer or family member receiving taxable income, other than investment income, that exceeds \$2,500 during the 12-month period preceding the date that the officer becomes aware that

- (i) a contract between the local governmental entity and vendor has been executed;
- or
- (ii) the local governmental entity is considering entering into a contract with the vendor;

(B) has given to the local government officer or a family member of the officer one or more gifts that have an aggregate value of more than \$100 in the 12-month period preceding the date the officer becomes aware that:

- (i) a contract between the local governmental entity and vendor has been executed; or
- (ii) the local governmental entity is considering entering into a contract with the vendor.

**Local Government Code § 176.006(a) and (a-1)**

(a) A vendor shall file a completed conflict of interest questionnaire if the vendor has a business relationship with a local governmental entity and:

- (1) has an employment or other business relationship with a local government officer of that local governmental entity, or a family member of the officer, described by Section 176.003(a)(2)(A);
- (2) has given a local government officer of that local governmental entity, or a family member of the officer, one or more gifts with the aggregate value specified by Section 176.003(a)(2)(B), excluding any gift described by Section 176.003(a-1); or
- (3) has a family relationship with a local government officer of that local governmental entity.

(a-1) The completed conflict of interest questionnaire must be filed with the appropriate records administrator not later than the seventh business day after the later of:

- (1) the date that the vendor:
  - (A) begins discussions or negotiations to enter into a contract with the local governmental entity; or
  - (B) submits to the local governmental entity an application, response to a request for proposals or bids, correspondence, or another writing related to a potential contract with the local governmental entity; or
- (2) the date the vendor becomes aware:
  - (A) of an employment or other business relationship with a local government officer, or a family member of the officer, described by Subsection (a);
  - (B) that the vendor has given one or more gifts described by Subsection (a); or
  - (C) of a family relationship with a local government officer.

## CERTIFICATE OF INTERESTED PARTIES-FORM 1295

Special message: Please read the Special Notification regarding HB 1295 effective January 1, 2016, implemented by the Texas Ethics Commission, which requires business entities to provide a completed Form 1295 to Brownsville PUB with signed contracts in order to execute them.

In 2015, the Texas Legislature adopted House Bill 1295. The law states that a governmental entity or state agency may not enter into certain contracts with a business entity unless the business entity submits a disclosure of interested parties to the governmental entity or state agency at the time the business entity submits the signed contract to the governmental entity or state agency. The law applies to a contract of a governmental entity or state agency that either (1) requires an action or vote by the governing body of the entity or agency before the contract may be signed or (2) has a value of at least \$1 million. The disclosure requirement applies to a contract entered into on or after January 1, 2016.

To implement the law, the Texas Ethics Commission (TEC) adopted new rules necessary to prescribe the disclosure of interested parties form, and post a copy of the form on the commission's website. The commission adopted the Certificate of Interested Parties form, Form 1295, on October 5, 2015. The commission also adopted new rules as part of Chapter 46 of the Texas Administrative Code on November 30, 2015.

On January 1, 2016, TEC made a new filing application available on their website for business entities to use to both create and file Form 1295. Business entities will enter the required information on Form 1295 within the application and print a copy of the completed form, which will include a certification of filing with a unique certification number. An authorized agent of the business entity will need to sign the printed copy of the form and have the form notarized. The completed Form 1295 with the certification of filing must be included with the signed contract to the governmental body or state agency in order for the governmental body to execute the contract.

Brownsville PUB will then notify the commission, using TEC's filing application, of the receipt of the filed Form 1295 with the certification of filing not later than the 30th day after the date the contract binds all parties to the contract.

TEC will then post the business entity's completed Form 1295 to its website within seven (7) business days after receiving notice from Brownsville PUB acknowledging that it was received.

To obtain additional information on HB 1295, to learn more about TEC's process to create a new account or to complete an electronic version of Form 1295 for submission with a signed contract, please go to the following link:  
[https://ethics.state.tx.us/whatsnew/elf\\_info\\_form1295.htm](https://ethics.state.tx.us/whatsnew/elf_info_form1295.htm)

NOTE: IF AWARDED THIS CONTRACT, FORM 1295 WILL BE SUBMITTED AT THE TIME THE SIGNED CONTRACT IS SUBMITTED TO BPUB. \_\_\_YES\_NO

# CERTIFICATE OF INTERESTED PARTIES

# FORM 1295

Complete Nos. 1 - 4 and 6 if there are interested parties.  
 Complete Nos. 1, 2, 3, 5, and 6 if there are no interested parties.

OFFICE USE ONLY

**1 Name of business entity filing form, and the city, state and country of the business entity's place of business.**

**2 Name of governmental entity or state agency that is a party to the contract for which the form is being filed.**

**3 Provide the identification number used by the governmental entity or state agency to track or identify the contract, and provide a description of the goods or services to be provided under the contract.**

4 Name of Interested Party	City, State, Country (place of business)	Nature of Interest (check applicable)	
		Controlling	Intermediary

**5 Check only if there is NO Interested Party.**

**6 UNSWORN DECLARATION**

My name is \_\_\_\_\_, and my date of birth is \_\_\_\_\_.

My address is \_\_\_\_\_,  
 (street) (city) (state) (zip code) (country)

I declare under penalty of perjury that the foregoing is true and correct.

Executed in \_\_\_\_\_ County, State of \_\_\_\_\_, on the \_\_\_\_\_ day of \_\_\_\_\_, 20\_\_\_\_.  
 (month) (year)

\_\_\_\_\_  
 Signature of authorized agent of contracting business entity  
 (Declarant)

**ADD ADDITIONAL PAGES AS NECESSARY**

**BROWNSVILLE PUBLIC UTILITIES BOARD**  
**RESIDENCE CERTIFICATION**

In accordance with Art. 601g, as passed by the 1985 Texas Legislature, the following will apply. The pertinent portion of the Act has been extracted and is as follows:

Section 1. (a)

(1) "Nonresident bidder" means a bidder whose principal place of business is not in this state, but excludes a contractor whose ultimate parent company or majority owner has its principal place of business in this state.

(2) "Texas resident bidder " means a bidder whose principal place of business is in this state, and includes a contractor whose ultimate parent company or majority owner has its principal place of business in this state.

Section 1. (b)

The state or governmental agency of the state may not award a contract for general construction, improvements, services, or public works projects or purchases of supplies, materials or equipment to a nonresident bidder unless the nonresident's bid is lower than the lowest bid submitted by a responsible Texas resident bidder by the same amount that a Texas resident bidder would be required to underbid a nonresident bidder to obtain a comparable contract in the state in which the nonresident's principal place of business is located.

I certify that \_\_\_\_\_  
(Company Name) is a **resident Texas bidder** as defined in Art. 601g.

Signature: \_\_\_\_\_

Print Name: \_\_\_\_\_

I certify that \_\_\_\_\_  
(Company Name) is a **nonresident bidder** as defined in Art. 601g. and our principal place of business is: \_\_\_\_\_

(City and State)

Signature: \_\_\_\_\_

Print Name: \_\_\_\_\_

Organization Name  
State Law Verifications

I, \_\_\_\_\_ (Person's name), the undersigned  
representative of (Company or Business name)

\_\_\_\_\_  
\_\_\_\_\_ (hereafter referred to  
as the "Company") being an adult over the age of eighteen (18) years of age, after being  
duly sworn by the undersigned notary, do hereby depose and verify under oath as  
follows:

- **IRAN, SUDAN AND FOREIGN TERRORIST ORGANIZATIONS:** By submission of a response to City of Brownsville Public Utilities Board ("BPUB") Request for Bid B039-26 (the "RFB"), the responding Company represents that, to the extent this proposal submission or any contracts executed in response to this proposal constitutes a governmental contract within the meaning of Section 2252.151 of the Texas Government Code, as amended, solely for purposes of compliance with Section 2252.152 of the Texas Government Code, and except to the extent otherwise required by applicable federal law, neither the responding Company, nor any wholly owned subsidiary, majority-owned subsidiary, parent company or affiliate of the Company is a company listed by the Texas Comptroller of Public Accounts under Sections 806.051, 807.051, or 2252.153 of the Texas Government Code.
- **ANTI-BOYCOTT ISRAEL VERIFICATION:** By submission of a response to the BPUB RFB, the responding Company represents that, to the extent this proposal submission, or any contracts executed in response to this proposal, constitutes a contract for goods or services within the meaning of Section 2271.002 of the Texas Government Code, as amended, solely for purposes of compliance with Chapter 2271 of the Texas Government Code, and subject to applicable federal law, including without limitation, 50 U.S.C. Section 4607, the responding Company, as well as any wholly owned subsidiary, majority-owned subsidiary, parent company or affiliate of the Company, (1) does not boycott Israel and (2) will not boycott Israel through the term of any such contract. The term "boycott Israel" as used in this paragraph has the meaning assigned to such term in Section 808.001 of the Texas Government Code, as amended.
- **VERIFICATION REGARDING NO DISCRIMINATION AGAINST FIREARMS:** By submission of a response to the BPUB RFB, the responding Company represents that, to the extent this proposal submission, or any contracts executed in response to this proposal, constitutes a contract for goods or services for which a written verification is required under Section 2274.002, Texas Government Code (as added by Senate Bill 19, 87th Texas Legislature, Regular Session), as amended, the responding Company hereby verifies that it, as well as any wholly owned subsidiary, majority-owned subsidiary, parent company or affiliate of the Firm, (1) does not have a practice, policy, guidance, or directive

that discriminates against a firearm entity or firearm trade association; and (2) will not discriminate during the term of any such contract against a firearm entity or firearm trade association. The foregoing verification is made solely to comply with Section 2274.002, Texas Government Code (as added by Senate Bill 19, 87th Texas Legislature, Regular Session), as amended, to the extent such section does not contravene applicable Texas or federal law. As used in the foregoing verification, “discriminate against a firearm entity or firearm trade association” shall have the meaning assigned to such term in Section 2274.001, Texas Government Code (as added by Senate Bill 19, 87th Texas Legislature, Regular Session).

- VERIFICATION REGARDING NO ENERGY COMPANY BOYCOTTS:**  
 By submission of a response to the BPUB RFB, the responding Company represents that, to the extent this proposal submission, or any contracts executed in response to this proposal, constitutes a contract for goods or services for which a written verification is required under Section 2274.002, Texas Government Code (as added by Senate Bill 13, 87th Texas Legislature, Regular Session), as amended, the responding Company hereby verifies that the responding Company, as well as any wholly owned subsidiary, majority-owned subsidiary, parent company or affiliate of the Firm, (1) does not boycott energy companies and (2) will not boycott energy companies during the term of any such contract. The foregoing verification is made solely to comply with Section 2274.002, Texas Government Code (as added by Senate Bill 13, 87th Texas Legislature, Regular Session), as amended, to the extent such section does not contravene applicable Texas or federal law. As used in the foregoing verification, “boycott energy companies” shall have the meaning assigned to such term in Section 809.001(1), Texas Government Code.

\_\_\_\_\_  
 DATE  
 REPRESENTATIVE

\_\_\_\_\_  
 SIGNATURE OF COMPANY

On this the \_\_\_\_ day of \_\_\_\_\_, 20\_\_\_\_, personally appeared \_\_\_\_\_, the above-named person, who after by me being duly sworn, did swear and confirm that the above is true and correct.

NOTARY SEAL \_\_\_\_\_

NOTARY SIGNATURE \_\_\_\_\_

Date





Material submitted on this form is intended to verify the product suitability for use as part of the service area throughout the city of Brownsville. BPUB Electrical Engineering Department will evaluate the product to determine if product meets BPUB’s requirements, needs, and quality. Request shall include, but shall not be limited to a list of all standards (TCLP, ANSI, ICEA, ASTM, ACSR), and any certification (UL, ASSE, etc.) of the material.

The proposed material shall include the specification sheet with product detail and manufacturer information.

## Request for Material Approval

Requestor Name: _____	Date: _____
Company Name : _____	_____
Street Address: _____	
City/ State/ Zip code: _____	
Phone #: _____	
Fax #: _____	

### Material and Manufacturer Product

Description	Part Number	History in Market Utilities Related	Reference Information	Approved by:



Form **W-8BEN-E**

(Rev. October 2021)  
Department of the Treasury  
Internal Revenue Service

**Certificate of Status of Beneficial Owner for  
United States Tax Withholding and Reporting (Entities)**

▶ For use by entities. Individuals must use Form W-8BEN. ▶ Section references are to the Internal Revenue Code.  
▶ Go to [www.irs.gov/FormW8BENE](http://www.irs.gov/FormW8BENE) for instructions and the latest information.  
▶ Give this form to the withholding agent or payer. Do not send to the IRS.

OMB No. 1545-1621

Do NOT use this form for:

Instead use Form:

- U.S. entity or U.S. citizen or resident . . . . . W-9
- A foreign individual . . . . . W-8BEN (Individual) or Form 8233
- A foreign individual or entity claiming that income is effectively connected with the conduct of trade or business within the United States (unless claiming treaty benefits) . . . . . W-8ECI
- A foreign partnership, a foreign simple trust, or a foreign grantor trust (unless claiming treaty benefits) (see instructions for exceptions) . . . W-8IMY
- A foreign government, international organization, foreign central bank of issue, foreign tax-exempt organization, foreign private foundation, or government of a U.S. possession claiming that income is effectively connected U.S. income or that is claiming the applicability of section(s) 115(2), 501(c), 892, 895, or 1443(b) (unless claiming treaty benefits) (see instructions for other exceptions) . . . . . W-8ECI or W-8EXP
- Any person acting as an intermediary (including a qualified intermediary acting as a qualified derivatives dealer) . . . . . W-8IMY

**Part I Identification of Beneficial Owner**

1 Name of organization that is the beneficial owner	2 Country of incorporation or organization
---	--

3 Name of disregarded entity receiving the payment (if applicable, see instructions)

4 Chapter 3 Status (entity type) (Must check one box only):

<input type="checkbox"/> Simple trust	<input type="checkbox"/> Tax-exempt organization	<input type="checkbox"/> Corporation	<input type="checkbox"/> Partnership
<input type="checkbox"/> Central Bank of Issue	<input type="checkbox"/> Private foundation	<input type="checkbox"/> Complex trust	<input type="checkbox"/> Foreign Government - Controlled Entity
<input type="checkbox"/> Grantor trust	<input type="checkbox"/> Disregarded entity	<input type="checkbox"/> Estate	<input type="checkbox"/> Foreign Government - Integral Part
		<input type="checkbox"/> International organization	

If you entered disregarded entity, partnership, simple trust, or grantor trust above, is the entity a hybrid making a treaty claim? If "Yes," complete Part III.  Yes  No

5 Chapter 4 Status (FATCA status) (See instructions for details and complete the certification below for the entity's applicable status.)

<input type="checkbox"/> Nonparticipating FFI (including an FFI related to a Reporting IGA FFI other than a deemed-compliant FFI, participating FFI, or exempt beneficial owner).  <input type="checkbox"/> Participating FFI. <input type="checkbox"/> Reporting Model 1 FFI. <input type="checkbox"/> Reporting Model 2 FFI. <input type="checkbox"/> Registered deemed-compliant FFI (other than a reporting Model 1 FFI, sponsored FFI, or nonreporting IGA FFI covered in Part XII). See instructions.  <input type="checkbox"/> Sponsored FFI. Complete Part IV. <input type="checkbox"/> Certified deemed-compliant nonregistering local bank. Complete Part V. <input type="checkbox"/> Certified deemed-compliant FFI with only low-value accounts. Complete Part VI. <input type="checkbox"/> Certified deemed-compliant sponsored, closely held investment vehicle. Complete Part VII. <input type="checkbox"/> Certified deemed-compliant limited life debt investment entity. Complete Part VIII. <input type="checkbox"/> Certain investment entities that do not maintain financial accounts. Complete Part IX. <input type="checkbox"/> Owner-documented FFI. Complete Part X. <input type="checkbox"/> Restricted distributor. Complete Part XI.	<input type="checkbox"/> Nonreporting IGA FFI. Complete Part XII. <input type="checkbox"/> Foreign government, government of a U.S. possession, or foreign central bank of issue. Complete Part XIII.  <input type="checkbox"/> International organization. Complete Part XIV. <input type="checkbox"/> Exempt retirement plans. Complete Part XV. <input type="checkbox"/> Entity wholly owned by exempt beneficial owners. Complete Part XVI. <input type="checkbox"/> Territory financial institution. Complete Part XVII. <input type="checkbox"/> Excepted nonfinancial group entity. Complete Part XVIII. <input type="checkbox"/> Excepted nonfinancial start-up company. Complete Part XIX. <input type="checkbox"/> Excepted nonfinancial entity in liquidation or bankruptcy. Complete Part XX.  <input type="checkbox"/> 501(c) organization. Complete Part XXI. <input type="checkbox"/> Nonprofit organization. Complete Part XXII. <input type="checkbox"/> Publicly traded NFFE or NFFE affiliate of a publicly traded corporation. Complete Part XXIII. <input type="checkbox"/> Excepted territory NFFE. Complete Part XXIV. <input type="checkbox"/> Active NFFE. Complete Part XXV. <input type="checkbox"/> Passive NFFE. Complete Part XXVI. <input type="checkbox"/> Excepted inter-affiliate FFI. Complete Part XXVII. <input type="checkbox"/> Direct reporting NFFE. <input type="checkbox"/> Sponsored direct reporting NFFE. Complete Part XXVIII. <input type="checkbox"/> Account that is not a financial account.
---	---

6 Permanent residence address (street, apt. or suite no., or rural route). Do not use a P.O. box or in-care-of address (other than a registered address).

City or town, state or province. Include postal code where appropriate.	Country
---	---------

7 Mailing address (if different from above)

City or town, state or province. Include postal code where appropriate.	Country
---	---------