



LEGAL NOTICE

AND

INVITATION TO BID B #041-23

The Brownsville Public Utilities Board will accept sealed bids for the Annual Supply of Electrical Inventory Material, **until 5:00 PM, May 31, 2023**, in the Brownsville PUB Purchasing Office, 1155 FM 511, Olmito, Texas 78575. **Bids received after this time will not be considered.**

Bids will be publicly opened and read aloud on June 1, 2023 at 2:30 PM. Bidders can request a copy of the bid tabulation by emailing hlopez@brownsville-pub.com. Vendors can call in at 2:30 PM, June 1, 2023 to (956) 214-6020 to listen to the bid opening.

Detailed specifications may be obtained at Brownsville Public Utilities Board website at https://www.brownsville-pub.com/rfp_status/open/.

Please mark on the **outside of the envelope and on any carrier's envelopes**: "SEALED BIDS FOR ANNUAL SUPPLY OF ELECTRICAL INVENTORY MATERIAL (B41-23), MAY 31, 2023 5:00 PM", and send to the attention of Diane Solitaire, Purchasing Department, 1155 FM 511, Olmito, TX 78575.

The Brownsville Public Utilities Board will not be responsible in the event that the U.S. Postal Service or any other courier system fails to deliver the sealed bids to the Brownsville Public Utilities Board, Purchasing Office by the given deadline above. **No bid will be accepted via electronic transmission or facsimile.**

The Brownsville PUB reserves the right to reject any or all bids and to waive irregularities contained therein and to accept any bid deemed most advantageous to the Brownsville PUB.

BY:

Diane Solitaire

Purchasing

Brownsville Public Utilities Board

(956) 983-6366 - Phone

Please submit this page upon receipt.

ACKNOWLEDGEMENT FORM

B#041-23 Annual Supply of Electrical Inventory Material

For any clarifications, please contact Hugo E. Lopez at the Brownsville Public Utilities Board, Purchasing Department at (956) 983-6375 or e-mail: hlopez@brownsville-pub.com

Please e-mail this page upon receipt of legal notice. If you only received the legal notice and you want the bid package mailed, please provide a method of shipment with account number in the space designated below.

Check one:

Yes, I will be able to send a bid; obtained bid package from website.

Yes, I will be able to send a bid; please email the bid package.

Email: _____

Yes, I will be able to send a bid; please mail the bid package using the carrier & account number listed below:

Carrier: _____

Account: _____

No, I will not be able to send a bid for the following reason:

If you are unable to send your bid, kindly indicate your reason for “No bid” above and return this form **via e-mail: hlopez@brownsville-pub.com or to dsolitaire@brownsville-pub.com**. This will ensure you remain active on our vendor list.

Requesting Cost Sheet in Excel format

Date _____

Company: _____

Name: _____

Address: _____

City: _____ State: _____ Zip Code: _____

Phone: _____ E-mail: _____

IF SPECIFICATIONS ARE DOWNLOADED FROM WEBSITE PLEASE E-MAIL THIS PAGE

Special Instructions

Contract Information

- **Interpretation**

Questions concerning terms, conditions, and technical specifications should be directed to:

Hugo E. Lopez,
Purchasing Administrator
(956) 983-6375

or

Diane Solitaire, Materials/Warehouse
Manager
(956) 983-6366

- **Tentative Time Line**

1. May 8, 2023 to May 31, 2023 - Vendors work on bid.
2. May 31, 2023 at 5:00 PM CST –**Vendor must submit one (1) set of original bid documents and one (1) electronic version of the Cost Sheet in Excel format on either USB stick or CD/DVD, sealed in an envelope to:**

Diane Solitaire, Purchasing
1155 FM511,
Olmite, TX 78575

Bid #041-23 – Annual Supply of Electrical Inventory Material
Due: **May 31, 2023 at 5:00 PM**

*The above noted information must be included on bid envelope and on any carrier's envelope/package. The Brownsville Public Utilities Board **will not be held responsible for missing, lost or late mail.** Brownsville Public Utilities Board will not accept facsimile or electronic transmission of sealed bids.*

1. May 18, 2023- Last day to submit questions
2. June 1, 2023 - Open bids at 2:30 PM
3. June 2, 2023 – June 23, 2023 - Evaluate bids
4. June 26, 2023 – Provide Final Recommendations
5. July 10, 2023 - Send to Utilities Board for approval
6. Term of contract will commence July 2023

- **Or Equal**

Brand name or manufacturer's reference used in this request is descriptive – not restrictive – it is intended to indicate type and quality desired. Brands of like nature and quality will be considered. If bidding on other than referenced specifications please provide complete descriptive information of said article.

- **Pricing**

Bid unit price on quantity specified, extend and show total. In case of errors in extension, unit prices shall govern. **Price shall remain firm until an award is made and for a period of one year after original date of Purchase Order, unless otherwise stipulated.**

All fields (UNIT PRICE, DELIVERY AND MANUFACTURER) in the Cost Sheets must be completed. The data must be complete to identify the bidding brand.

Failure to submit any of the above information with the sealed bid will disqualify bid.

- **Vendor Representative**

The successful vendor agrees to send a personal representative with binding authority for the company to the Brownsville Public Utilities Board upon request to make adjustments and/or assist with coordination of all transactions as needed.

- **Quality of Products**

All items must be new, in first class condition, including containers suitable for shipment and storage. No substitutions in standard grades or lesser quality will be accepted.

- **Determining Factors for Award**

1. Bidders net price on bid items
2. Stock availability
3. Reputation of brand names offered
4. Reputation and location of the bidder
5. Time and conditions of delivery
6. BPUB financial and legal responsibility evaluations of any identified teaming arrangements involving significant joint ventures, subcontractors and suppliers
7. Safety record will be considered when determining the responsibility of the bidder

- **Contract with Vendor/Entity Indebted to BPUB**

It is a policy of the BPUB to refuse to enter into a contract or other transaction with an individual, sole proprietorship, joint venture, Limited Liability Company or other entity indebted to BPUB.

- **Vendor ACH (Direct Deposit) Services**

The BPUB has implemented a payment service for vendors by depositing the payment directly to the vendor's bank account. Successful vendor(s) will be required to receive payments directly through Automated Clearing House (ACH) in lieu of a paper check. **The awarded vendor must agree to receive payments via ACH (Direct Deposit).**

- **Tax Identification Number (TIN)**

In accordance with IRS Publication 1220, aW9 form, or a W8 form in cases of a foreign vendor, will be required of all vendors doing business with the Brownsville PUB. If a W9 or W8 form is not made available to Brownsville PUB, the first payment will be subject to income tax withholding at a rate of 28% or 30% depending on the U.S. status and the source of income as per IRS Publication 1220. **The W9 or W8 form must be included with bid response.** Attached are sample forms.

- **Taxes**

The Brownsville Public Utilities Board is exempt from Federal Excise Tax, State Tax and local Taxes. Do not include tax in the bid. If it is determined that tax was included in the bid it will not be included in the tabulation or any awards. Tax exemption certificates will be furnished upon request.

- **Signing of Bid**

Failure to sign bid will disqualify it. Person signing bid should show title or authority to bind their firm to a contract.

- **EEOC Guidelines**

During the performance of this contract, the contractor agrees not to discriminate against any employee or applicant for employment because of race, national origin, age, religion, gender, marital or veteran status, or physically challenging condition.

- **As Needed Basis**

Quantities are estimated for an annual supply and are **to be released on an “as needed” basis** and be billed as such. However, successful vendor must have stock readily available for immediate shipment to the BPUB. Brownsville PUB will not accept the full quantity at one time as specified on Cost Sheet.

- **Contract and Purchase Order**

The electrical inventory material will be delivered FOB Brownsville Public Utilities Board, 1155 FM511, Olmito, TX 78575. The material will be received in releases upon request and be billed as such over a period of one (1) year. A contract for the electrical inventory material will be placed into effect by means of a purchase order issued by the Brownsville Public Utilities Board after tabulation and final approval by the Brownsville PUB Board.

- **Terms**

One (1) year from the date of award not to exceed the one (1) year or the awarded amount whichever comes first, with the option to renew for an additional one (1) one year period if agreed upon in writing by both parties.

- **Brownsville Public Utilities Board Rights**

1. If only one or no bid is received by "submission date", the BPUB has the right to reject, re-bid, accept and/or extend the bid by up to an additional two (2) weeks from original submission date.
2. The right to reject any/or all bids and to make award as they may appear to be advantageous to the Brownsville Public Utilities Board.
3. The right to hold bid for 90 days from submission date without action, and to waive all formalities in bid.
4. The right to extend the total bid beyond the original 90-day period prior to an award, if agreed upon in writing by all parties (BPUB and vendor/contractor) and if bidder/vendor holds original bid prices firm.
5. The right to terminate for cause or convenience all or any part of the unfinished portion of the Project resulting from this solicitation within Thirty (30) calendar days written notice; for cause: upon default by the vendor/contractor, for delay or non-performance by the vendor/contractor; or if it is deemed in the best interest of the BPUB for BPUB's convenience.
6. The right to increase or decrease quantities. In bid, stipulate whether an increase or decrease in quantities will affect bid price
7. The Brownsville PUB has the right to refuse to enter into a contract or other transaction with any individual or entity indebted to the municipality as per Local Government Code 252.0436.

- **Corrections**

Any interpretation, correction, or change to the invitation to bid will be made by ADDENDUM. Changes or corrections will be issued by the Brownsville PUB Purchasing Department. **Addenda will be emailed to all who have returned the Bid Acknowledgment form.** Addenda will be issued as expeditiously as possible. It is the responsibility of the vendors to determine whether all addenda have been received. It will be the responsibility of all respondents to contact the Brownsville PUB prior to submitting a response to the invitation to bid to ascertain if any addenda have been issued, and to obtain any all addenda, execute them, and return addenda with the response to the invitation to bid. Addenda may be posted on the Brownsville PUB's website.

Special Instructions:

- Shipments will be on a month-to-month basis. **BPUB WILL NOT ACCEPT ONE FULL SHIPMENT.**
- (E0030-00) Galvanized crossarm mounting bracket **must fit** 10kV lighting arrestors
- Commodities E0948-01 and E0948-02 **must be the same brand**
- URD 3PH Cabinets 200 Amp & 600 Amp (E0973-00 & E974-00) **must be** fabricated 14 gauge **Aluminum Sheet Metal**, Munsell 7GY 3.29/1.5 Green paint and all hinges, lock, lifting nuts, ground nuts, carriage bolts **must be** stainless steel
- Crossarm commodities E0005-00, E1050-00, and E1051-00 **must meet** BPUB specifications and drawings, and DCOI treatment acceptable

NOTE: Please make pricing on specification sheet legible.

Brand name or manufacturer's reference used in this request is descriptive – not restrictive – it is intended to indicate type and quality desired. Brands of like nature and quality will be considered. If bidding on other than referenced specifications please provide complete descriptive information of said article. Mark “cut sheets/data sheets” with BPUB Commodity Number (“E”) for reference. Items without a “cut/data sheet” may not be considered.

- Brownsville Public Utilities Board Approved Manufacturer's List
 - Cooper Lighting
 - Maclean
 - GE Lighting Solutions
 - NSI Lighting Products
 - Joslyn
 - Burndy
 - Kearney
 - Hubell
 - Slo-Fast
 - Sun-Tech
 - Tyco Electronics (excludes photocells)
 - DTI – Dark to Light
 - ELA Lighting
 - Chance
 - Aluma-Form
 - Brooks
 - Maysteel
- LED Fixtures must come with the **Standard NEMA Reflective Labels** with the wattage displayed
- Vendor must provide **all electric meter serial numbers and ERT numbers (if applicable) with the barcode number on the outside of the box** and with each shipment via email, CD or USB.

- Electric Meters/Software Approved List

Itron
Elster
GE/Aclara
Landis & GYR

Brownsville PUB reserves the right to accept only the brand names listed, which are in full compliance with the specifications & deemed most advantageous to its interests. Failure to comply with any of the requirements is sufficient cause for rejection of proposed materials

COST SHEET

COMMODITY NO.	QTY.	DESCRIPTION	UNIT PRICE	DELIVERY IN DAYS (ARO)	SPECIFY MFG/PART NO.	SPECIFY IF STD PKG APPLIES
E0002-00	100	Arm, 3-Position Alum Steel, Bethea #VIB3-18, P619, CA-18-3; Hubbell #LB18B3				
E0005-00	150	3-3/4" X 4-3/4" X 8' standard crossarm, Wooden 8# Penta treated Douglas Fir per BPUB specs Type P-EA-03 full cut, Specifications located at the end of the document DCOI treatment is acceptable				
E0006-00	200	Crossarm steel flat brace, #J7128; #SC7128; #U7128, #5091; Brace, 28" Flat steel for crossarm #APP-1554 28"; Allied #5091				
E0007-00	10	Bracket Lite duty cluster mount Aluma-Form#6M3-6, Cluster Mount Al. Chance #C212-8003, Mount Single Phase #1CSA; Hubbell #C6M3-6				
E0008-00	400	Clamp Hotline copper #BC20; #C520, #UH520CC, #UHC520CC; #C1520				
E0009-00	50	Clamp, Bailing Al to Cu Burndy #J990				
E0010-00	300	Clevis, one point galvanized, Chance # C207-0024; NO SUBSTITUTION				
Option 1 E0010-00	300	Clevis, one point galvanized, Hubbell #C207-0072; HPS #C0337 and C0468				
E0012-00	500	Fuse cutout <u>100 Amp</u> , Porcelain 27 KV, 125 kv BIL, without Crossarm Brackets ; #C710-213-P; #89032R10D; #L9CAP0A, UPI # NLBC-27-100-12-PX; CPG27-100A-125-CN-12KA				

COST SHEET

COMMODITY NO.	QTY.	DESCRIPTION	UNIT PRICE	DELIVERY IN DAYS (ARO)	SPECIFY MFG/PART NO.	SPECIFY IF STD PKG APPLIES
Option 1 E0012-00	500	Fuse Cutout 100 amp, Polymer 27 KV, 125 kv BIL, No Crossarm Brackets; #CP710213 No Bracket				
E0012-01	50	Fuse Cut Out, <u>200 Amp</u> Porcelain ,127 BIL with NEMA “B” Heavy Duty Crossarm Bracket Chance # C730242PB; S&C89072R11D; ABB#X2NCNNVA22				
Option 1 E0012-01	50	Fuse Cut Out, Polymer 200 Amp 127 BIL Chance# CP710242;				
E0013-00	300	Rod Ground 5/8” x 8’ Copper Weld, Mfg. Galvan #6258G-13; Erico# CEL615883; #21448*RUS *Meeting UL Approved requirements*				
E0014-00	500	Clamp 5/8” ground rod Eritech #P5; #GRC58; Mfg. Galvan #CPSH-58R; #CP58; Allied #2192				
E0015-00	150	Molding Ground ½ x 8’ PVC #PM128; Allied #11400; #PEGM1/2-GR				
E0016-00	100	Attachment Guy 3/8” x ½” Galv. #P135A; #GH5; #HGA58C; Allied #5060				
E0017-00	200	Guard Guy 8’ Yellow Plastic #PBG2Y; Performed #PG5718; Elec. Matls Co.#70-7YTIE				
E0018-00	200	Insulator Guy Strain ANSI Class 54-3, #P543G; MacLean #L506; Gamma #8506-70				
E0020-00	1,500	Polymer Insulator “Fog Bowl” Preformed, Cat# IP-25-F1, P/N600064977101; NGK #HRAP-15053; #PI73233RT; Victor #39R; ICB #5511				
E0021-00	300	Insulator 28 KV Suspension #DS28M; #2515S-00; #4010280215; #9502U-SI; #ARP25EACE-1; SEDIVER #CT-4R2M; #ARP-25SKCKE-				

COST SHEET

COMMODITY NO.	QTY.	DESCRIPTION	UNIT PRICE	DELIVERY IN DAYS (ARO)	SPECIFY MFG/PART NO.	SPECIFY IF STD PKG APPLIES
E0022-00	400	Insulator 3" spool porcelain; CST#ANSI53-2; VI #2612				
E0023-00	200	Insulator, wire holder #J089Z; E09C207-0138; CSTK4; Wireholder Porcelain Products #1986; Maclean# J089Z				
E0024-00	300	Lighting Arrester 10KV #2137097214; #Aluma Form #AHD-10BXGX-1XX-1X; Joslyn #ZHP010-000000; Cooper #UHS10050A1A1A1A; Tyco #DAH10AE0D0B31; Arrester with Insulator Base Only				
E0025-00	150	Pin, pole top 18" steel galv. 1" Thread, Nylon Alloy Thread Only , P/N Maclean J1368Z, Chance #C2170; Hubbell #2170				
E0026-00	300	Pin, Crossarm Insulator, 1" Thread, Nylon Only , #J207Z; #883				
E0026-01	150	Pin Crossarm Insulator Joslyn# J6077; MPS #J607Z; Allied #2743				
E0027-00	150	Pin, Short Shank Insulator Nylon Alloy Thread Only Maclean# J224Z; Hubbell #PS893P; Allied #2721				
E0028-00	3,000	Staple, small copper coated, diamond pt. 1 ¼ x 5/16 x .114 CWLD, Must be 100/box , #J6493; #750221; Allied Bolt #004100; Allied 25010; Larson #4043100/750221; Allied #25001				
E0029-00	6,000	Staple, large copper coated, diamond pt 2 x ½ x .162 CWLD, Must be 100/box , #J6496; #750545; Larson #404325/750545; Allied #25010				

COST SHEET

COMMODITY NO.	QTY.	DESCRIPTION	UNIT PRICE	DELIVERY IN DAYS (ARO)	SPECIFY MFG/PART NO.	SPECIFY IF STD PKG APPLIES
E0030-00	50	Heavy Duty Galvanized Bracket NEMA Type "D" with captive 3/8" -1 1/2" – Length 6-5/8" for Std "C" Cutout C710213P, Line Hardware #CMB-1A (Must fit commodity E0012-00)				
E0031-00	400	Transformers Grd. Clamp 1/2-13, eyebolt style, 8 SOL - 2/0 19 STR, TGL #1126-00 Penn-Union #HGSE-020 eye bolt clamp, 2 way, 8SOL- 2/0 19 Str #GTCS-34A; TG-820				
E0041-00	50	Anchor, 1 1/4 x 96 W/10 Helix steel galv. MacLean #J6550WCA; Joslyn#10148; HPS #10148; Hubbell #10148; Allied #1169				
E0049-00	200	Holder, wire 1-1/4" to 3" pipe size Nylon Mast mounted; ASTM #A153 #J0588Z; Allied #9254				
E0100-00	150	Bolt, Machine 5/8" X 10" galv. #J8810; Allied 8222				
E0101-00	2,000	Bolt, Machine 5/8" x 12" galv #J8812; #C8812; Aluma-Form #8812				
E0102-00	500	Bolt, Machine 5/8" x 14" galv #J8814; #C8814; Aluma-Form #8814				
E0104-00	100	Bolt, Machine 5/8 X 18 galv. #J8818; 8230				
E0107-00	20	Bolt, Machine 5/8 x24x6" thread galvanized Joslyn# J8824; MacLean MPS #J8824; Poleline/Allied #8236				
E0110-00	100	Bolt, Oval Eye 5/8 x 18 galvanized Joslyn# J9412; R9412; Aluma- Form #9412				

COST SHEET

COMMODITY NO.	QTY.	DESCRIPTION	UNIT PRICE	DELIVERY IN DAYS (ARO)	SPECIFY MFG/PART NO.	SPECIFY IF STD PKG APPLIES
E0111-00	100	Bolt, Oval Eye 5/8 x 14 galvanized Joslyn #J9414; #R9414				
E0119-00	50	Bolt, D.A. 5/8 x 22 galv. Joslyn# J8872				
E0120-00	50	Bolt, D.A. 5/8 x24 galv. #J8874, #R8874				
E0121-00	100	Bolt Double Arm (D. A.) 5/8 X 30 Galvanized W/4-Nut Joslyn #J8878; Allied #5970				
E0125-00	200	Bolt, Carriage 3/8 x 5 galv. #J8635; AF8635				
E0128-00	300	Bolt, Carriage 1/2-13" x 7" galv. w/nuts #J8647; #SC8647; #R8647				
E0133-00	100	Bolt, upset 5/8" x 12" galv. #J2346-1/2, #7743; R2346-1/2				
E0135-00	1,500	Screw 1/2" x 4- 1/2" lag galvanized fetter drive -drive point , #J8754-1/2P; #P8754-1/2P; #R8754-1/2P				
E0136-00	200	Nut 5/8" oval eye galv. #J1092; #C6502; #R1092; Supreme #1092; Allied #5876				
E0138-00	3,000	Washer 5/8" square 2 1/4" galvanized; #6813; #P1075; Poleline/Allied #11500				
E0139-00	1,500	Washer Lock, 5/8" Double Coil Spring Galvanized, ASTM A-153; Compressed Product Number C2050186; Aluma/Pole Line #AF177				

COST SHEET

COMMODITY NO.	QTY.	DESCRIPTION	UNIT PRICE	DELIVERY IN DAYS (ARO)	SPECIFY MFG/PART NO.	SPECIFY IF STD PKG APPLIES
E0140-00	1,500	Hex Bolt, ½ x 2 Length, 1- ¼ Threaded, Stainless Steel 18-8 or 304 sstl				
E0142-00	1,500	Nut, ½"-13 Hex Stainless Steel 18-8 or 304 sstl				
E0143-00	1,500	Lock washer ½" Stainless Steel 18-8, or 304 sstl; #71070				
E0144-00	1,500	Flat Washer, ½" Stainless Steel 18-8 or 304 sstl				
E0149-00	2,000	Flat Washer 1/2" ID x 1.25" OD Brass, Tolerance +/- .005; Thickness 0.091" Part Number 1175210				
E0195-00	5,000	Wire 10M Alumoweld Guy, 500 FT Coils, Alcoa #10M-500				
E0196-00	3,000	Wire 16M Alumoweld Guy, 500 FT Coils, Alcoa #16M-500				
E0198-00	50	Dispenser Guy Wire PREFORMED #SGD0700; MPS #MGWD700				
E0375-00	50	Splice #6 SOL Cu Tens NICO PRESS #1-162-J; #YDS6W				
E0376-00	50	Splice #4 SOL Cu Tens, NICO PRESS 1-204-P, YDS4W; Burndy #YDS4W				
E0382-00	50	Deadend #6 Sol Cu S/T Maclean #61LD				
E0385-00	15	Deadend #4 Sol Cu S/T Maclean #41LD				

COST SHEET

COMMODITY NO.	QTY.	DESCRIPTION	UNIT PRICE	DELIVERY IN DAYS (ARO)	SPECIFY MFG/PART NO.	SPECIFY IF STD PKG APPLIES
E0400-00	200	Connector, #8 Solid Copper Split Bolt Penn-Union #S-8				
E0403-00	50	Connector, #2 STR. Split Bolt, Dossert DS-6, KS23				
E0404-00	50	Connector #1/0 Strand Copper Split Bolt, #KS25				
E0405-00	50	Connector #2/0 Strand Copper Split Bolt, #KS26; Penn Union #S2/0				
E0413-00	1,000	Crimpfit #8 Sol. -8 Sol Cu Burndy #YC8C8				
E0414-00	500	Crimpfit #4 Str -8 Sol. Cu Burndy #YC4C8				
E0415-00	1,000	Crimpfit #4 Str. -6 Sol Cu Burndy #YC4C6				
E0416-00	1,000	Crimpfit #4 Str. -4 Str. Cu Burndy #YC4C4				
E0417-00	100	Crimpfit #2 Str. -4 Str. Cu. Burndy #YC2C4				
E0418-00	1,500	Crimpfit #2 Str -2 Str. Cu Burndy #YC2C2				
E0420-00	300	Crimpfit 1/0, Str – 1/0 Str Cu #YC26C26; Homac #CC2020				

COST SHEET

COMMODITY NO.	QTY.	DESCRIPTION	UNIT PRICE	DELIVERY IN DAYS (ARO)	SPECIFY MFG/PART NO.	SPECIFY IF STD PKG APPLIES
E0422-00	200	Crimpit 3/0 Str - 4/0 Str #YC28C28; Homac CC4040				
E0464-00	500	Fuse holder 100 amp, 27KV, 125BIL without lever ABB #7194C60G05; S&C#89532R9; Chance #T710-213T; Cooper #LDCA00A				
E0465-00	150	Fuseholder 100 Amp, 15/27KV Loadbreak, 125BIL with lever , Arm, Chance # T720-213T; ABB #7194C60G05MP				
E0467-00	100	Fuseholder 200 AMP 15KV, Chance #T710-342T; ABB7194C60G07; NO SUBSTITUTION				
E0478-00	100	Fuselink 1.4 Amp Type Slo-Fast #M1.4SFA23 NO SUBSTITUTION				
E0479-00	100	Fuselink 2.1 Aamp Type Slo-Fast, #M2D1SFA23 NO SUBSTITUTION				
E0480-00	300	Fuselink 3.5 Amp Type Slo-Fast, #CM3D5DFA23, NO SUBSTITUTION				
E0481-00	200	Fuselink 5.2 Amp Type Slo-Fast, #CM5D2SFA23, NO SUBSTITUTION				
E0483-00	200	Fuselink 7 Amp Type Slo-Fast #M7.0SFA23 NO SUBSTITUTION				
E0485-00	100	Fuselink 10 Amp Type K #M10KA23 NO SUBSTITUTION				
E0486-00	100	Fuselink 12 Amp Type K # M12KA23 NO SUBSTITUTION				

COST SHEET

COMMODITY NO.	QTY.	DESCRIPTION	UNIT PRICE	DELIVERY IN DAYS (ARO)	SPECIFY MFG/PART NO.	SPECIFY IF STD PKG APPLIES
E0487-00	100	Fuselink 15 Amp Type K # M15KA23 NO SUBSTITUTION				
E0488-00	150	Fuselink 20 Amp Type K # M20KA23 NO SUBSTITUTION				
E0489-00	200	Fuselink 25 Amp Type K # M25KA23 NO SUBSTITUTION				
E0490-00	200	Fuselink, 30 Amp Type K #M30KA23 NO SUBSTITUTION				
E0491-00	200	Fuselink, 40 Amp Type K #M40KA23 NO SUBSTITUTION				
E0492-00	200	Fuselink, 50 Amp Type K #M50KA23 NO SUBSTITUTION				
E0493-00	200	Fuselink, 65 Amp Type K #M65KA23 NO SUBSTITUTION				
E0495-00	200	Fuselink, 80 Amp Type K#M80KA23 NO SUBSTITUTION				
E0496-00	200	Fuselink 100 Amp type K #M100KA23 NO SUBSTITUTION				
E0497-00	200	Fuselink 140 Amp TYPE K #M140KA23 NO SUBSTITUTION				
E0499-00	200	Fuselink 200 Amp Type K #M200KA23 NO SUBSTITUTION				

COST SHEET

COMMODITY NO.	QTY.	DESCRIPTION	UNIT PRICE	DELIVERY IN DAYS (ARO)	SPECIFY MFG/PART NO.	SPECIFY IF STD PKG APPLIES
E0501-00	1,500	Grip 4STR. Coated service deadend #ND-0102; #AND0790; #NDE0323				
E0505-00	200	Grip 1/0 STR coated service deadend #ND-0110; #AND1210; #NDE0507				
E0543-00	200	Grip 10M AL Strand Deadend Guy, #AWGG0770; #AWDE-4116; HG-521-10M; DSM #AWDE0313; MPS #DE-AC4116				
E0544-00	200	Grip 16M AL Strand Deadend Guy, #AWGG0965; #AWDE-4122; HG-525-16M; DSM# AWDE0394				
E0600-00	50	Sleeve 1/0 STR-#4 STR Service 1/0 STR - #4 STR Insulated Service Sleeve Yellow-Orange BLACKBURN #IKL34; #X1N104				
E0601-00	400	Sleeve 1/0 STR-#2 STR Insulated Service Yellow-Red Blackburn #IKL35; X1N102				
E0602-00	500	Sleeve 1/0 STR-1/0 STR Service #IKL36; #X1N1010				
E0603-00	200	Sleeve 2/0 STR-#4 STR Service #IKL44 or X1N204; ILSCO #PICS-844				
E0604-00	200	Sleeve 2/0 STR-#2 STR Service #IKL45; #X1N202; ILSCO #PICS-845				
E0605-00	50	Sleeve 2/0 STR-1/0 STR Insulated Service Sleeve Gray-Yellow, Blackburn #IKL46; #X1N2010; PIK200				

COST SHEET

COMMODITY NO.	QTY.	DESCRIPTION	UNIT PRICE	DELIVERY IN DAYS (ARO)	SPECIFY MFG/PART NO.	SPECIFY IF STD PKG APPLIES
E0607-00	50	Sleeve 3/0 STR-1/0 STR Service #IKL56 3/0 STR - 1/0 STR Insulated Service Sleeve Black-Yellow. Blackburn #IKL56; SCO #PICS-856				
E0609-00	100	Sleeve 4/0 STR-#2 STR Service #IKL65; X1N402 4/0 STR. - #2 STR Insulated Service Sleeve Pink-Red Blackburn #IKL65; ILSCO #PICS-865				
E0610-00	100	Sleeve 4/0 STR-1/0 STR Service #IKL66; #X1N4010				
E0613-00	50	Sleeve 4/0 STR-4/0 STR Service #IKL69; #X1N4040				
E0623-00	200	Insulink #4 STR-6 STR #ES2W4W #4 STR. -6 STR. Insulink AL. OR CU. Orange -Blue Burndy #ES2W4W				
E0624-00	1,000	Insulink #4 STR-4 STR #ES2W2W				
E0627-00	200	Insulink #2 STR TO #6 SOL #ES2R6W #2 STR. TO #6 SOL Insulink AL. OR CU. Red-Green Burndy #ES2R6W				
E0628-00	200	Insulink #2 STR-6 STR #ES2R4W; #PIK14 #2 STR.-6 STR. Insulink AL. or Cu. Red-Blue; Burndy #ES2R4W				
E0629-00	1,500	Insulink #2 STR-4 STR# ES2R2W #2 STR. -4 STR. Insulink Al or Cu Red-Orange Burndy# ES2R2W				
E0630-00	2,000	Insulink #2 STR-2 STR insulink Al. or Cu, Red-Red Burndy#ES2R2R; PIK11, #U1N22				

COST SHEET

COMMODITY NO.	QTY.	DESCRIPTION	UNIT PRICE	DELIVERY IN DAYS (ARO)	SPECIFY MFG/PART NO.	SPECIFY IF STD PKG APPLIES
E0632-00	150	Insulink 1/0 STR-4 SOL #ES25R4W #1/0 STR -#4 SOL Insulink AL. OR CU. Yellow-Blue Burndy #ES25R4W				
E0633-00	700	Insulink #1/0 STR-4 STR #ES25R2W, #U1N104 #1/0 STR. -4 STR. Insulink AL. OR CU. Yellow -Orange, Burndy #ES25R2W				
E0634-00	1,500	Insulink 1/0 STR-2 STR #ES25R2R, #U1N102 #1/0 STR. -2 STR insulink AL. OR CU. Yellow-Red; Burndy #ES25R2R				
E0635-00	300	Insulink #1/0 STR-1/0 STR #ES25R25R #1/0 STR. -1/0 STR Insulink AL. or CU. Yellow-Yellow Burndy #ES25R25R				
E0639-00	1,500	Insulink #6 4 STR-#10, #8 Sol #YPCA8U #6, 4 STR. - #10, #8 SOL., CABELOK CRIMPIT Burndy #YPC2A8U				
E0640-00	500	Crimpfit #6, 4 STR - #6, 4 STR #YP2U3; #WR159				
E0641-00	500	Crimpfit 1/0 STR – 6-2 STR #YP26AU2; #WR189				
E0642-00	200	Crimpfit 1/0 STR-1/0 STR CABLELOK #YP25U25				
E0650-00	100	Crimpfit 4/0 STR - 4/0 STR UNIV #YPC28R28A; Blackburn #WR419				
E0652-00	30	Penn-union KN-R6; Burndy #YHN500				
E0670-00	150	Sleeve #4 STR alum tension #YSS4R; Homac #SNG44				

COST SHEET

COMMODITY NO.	QTY.	DESCRIPTION	UNIT PRICE	DELIVERY IN DAYS (ARO)	SPECIFY MFG/PART NO.	SPECIFY IF STD PKG APPLIES
E0671-00	50	Sleeve #1/0 STR aluminum tension #YDS25RL				
E0720-00	40	Connector 477 MCM-477 MCM Al Cu Tap, #WCY62PB; Homac Cat #PT55602; Ampact #1-602031-3				
E0723-00	25	Connector 795 MCM-477 MCM Tap Connector with Power Booster: Burndy #WCY76PB				
E0724-00	40	Connector 795 MCM-795 MCM, Burndy Cat #WCY72PB; *must be Burndy*				
E0727-00	100	Stirrup 1/0 STR W/ #2 bail Al to Cu with power booster, #WSM1PB; AMP #600464				
E0728-00	15	Stirrup 4/0 STR W/ #2 Bail w/power Booster, #WSM3PB; AMP #600469				
E0730-00	50	Stirrup 477 MCM W/ 1/0 bail Al to Cu with power booster, #WSL4PB; AMP #602047				
E0731-00	150	Stirrup 795 MCM W/ 2/0 Bail, Burndy #WSL12PB				
E0740-01	100	Cartridge "YELLOW" Wejtap Burndy Part #WPBYBOX25; 25/BX, NO SUBSTITUTION				
E0744-00	10	Cover Tap Connector "LARGE" AMP #602107				
E0796-00	50	Sleeve #795 MCM AL jumper #HR795-37ALJ; #YCS391A *must be Kearney or Burndy*				

COST SHEET

COMMODITY NO.	QTY.	DESCRIPTION	UNIT PRICE	DELIVERY IN DAYS (ARO)	SPECIFY MFG/PART NO.	SPECIFY IF STD PKG APPLIES
E0797-00	50	Adapter 795 MCM Terminals2-Hole Pad AL. to CU. Blade Kearney #48713-12				
E0900-00	300	Arrestor URD, 15KV Cooper #3238018C10M, Hubbell 215ELA10; Maclean #8132B0010J001; Elastimold #167ESA10				
E0903-00	1,000	Bushing, URD 200 Amp #2604797B10M; #LBI215; #1601A4; URD 200 Amp 15KV Loadbreak Bushing Insert RTE; #2604797B10M; #LBI215; #1601A4; #9U02AAB001; #215BI				
E0904-00	50	Feed Thru URD 200 AMP 15KV INS 2637869C01M; LFI215; URD 200 AMP 15KV Loadbreak Rotable Feed Thru Insert RTE; Cooper Catalog #LFI215; #215FTI				
E0904-01	30	Feed Thru, 200 Amp Portable, #LPI215H, #215FT				
E0907-00	10	Adapter, Bushing 600/200A Cooper #DBA615 URD 200 Amp, 15Kv 3-Way Loadbreak Junction Rte, Hubbell Cat #915BA				
E0908-00	100	Junction URD, 200 15KV 4-way loadbreak, #164J45, #LJ215C4U; #215J4U; #2637164C13M				
E0909-00	20	Junction URD deadbreak, 600 amp 15 KV #DJ625A2U; #K650J2-5; #625J2U;				
E0909-01	60	Junction URD, 600 amp 15KV 4 Way W/U-Strap, Hubbell #625J44U; Cooper #DJ625A4U; Richards #P625JD44U				
E0921-00	320	Compound alum oxide, 4 oz bottle ILSCO/UTILCO #UDE-OX-4oz; DE-0X Oxide Inhibitor, 4 oz bottle; CMC #COOX-4				

COST SHEET

COMMODITY NO.	QTY.	DESCRIPTION	UNIT PRICE	DELIVERY IN DAYS (ARO)	SPECIFY MFG/PART NO.	SPECIFY IF STD PKG APPLIES
E0922-00	300	Lubricant, cable pulling, hydra-lube, silicone based, Quart size , #F-150i; #NB-35; #GEL-QT;				
E0922-01	75	Lubricant, cable pulling, hydra-lub, silicone based, 5 gal pail , #F-150I; #NB-35; #8263; NB640				
E0924-00	300	Cap URD 200 amp, 15KV Protective Cap RTE #2603711A12M, Elastimold #160DRG; #215ICI; Cooper #LPC215				
E0925-00	200	Cap URD Protect 600A, Elastimold #K655DR, #625IC 8.3/14.4 KV, Cooper# DPC625				
E0926-00	600	Connector URD transformer stud with Cover, secondary insulated uni-joint CMC. Polaris PSMTLSC350-65P; #NSC3506I, includes CO-OX				
E0927-00	150	Connector, URD Transformer Stud with Cover secondary insulated Cat #RLS500-6I; #PTF6 – 500CU; #TSB6559J10DC; #PSMTLSC00-6SP				
E0932-00	150	Connector URD Secondary 500 MCM 3 Hole, #PED-3-500P; #NA500-3I				
E0933-00	1,000	Connector URD #6STR-350MCM Pedestal #UGA6-350P; #D350-6I; ALCON #PA33-350. Note: must include CO-OX oxide inhibitor in all conductor holes				
E0933-01	500	Connector, Direct Burial, w/inhibitor #PED6-350-SSP Utilco, Polaris IPLWB350-6P; CMC #SSBC350-6SI Note: must include CO-OX oxide inhibitor				
E0934-00	1,000	Cover pedestal for connector, Utilco# CKM; #DC6-350 (Note: cover must fit connector E0933-00)				
E0936-00	30	Elbow URD #2 STR 175 MIL Loadbreak, RTE #2604600B32MA; Cooper #LE215B04T, Hubbell #9U01AAD623; Hubbell #215LE43T; Richards #21LBT2A7; Elastimold #166LR-B-5220; Elastimold # 162LRB5220				

COST SHEET

COMMODITY NO.	QTY.	DESCRIPTION	UNIT PRICE	DELIVERY IN DAYS (ARO)	SPECIFY MFG/PART NO.	SPECIFY IF STD PKG APPLIES
E0937-00	1,000	Elbow URD 1/0 str 220 Mil Loadbreak RTE #LE215B06T; #215LE45T; #162LRB5240; #9U01AAD635; #21LBN2B9B; LE215CC06T				
E0939-00	300	Elbow URD 500 MCM 220 MIL deadbreak, Elbow RTE. Hubbell #625BTL33 Hubbell Mfg. Only				
E0942-00	200	Fuse Contact Flare, 3 AMP MFG# RTE-358C03; Cooper #4000358C03B, NO SUBSTITUTION				
E0942-01	200	Fuse Contact Flare, 8 AMP MFG# RTE-358C05; Cooper #4000358C05B; NO SUBSTITUTION				
E0942-02	200	Fuse Contact Flare, 10 AMP MFG# RTE-358C06; Cooper #4000353C06B, NO SUBSTITUTION				
E0942-03	200	Fuse Contact Flare, 15 AMP MFG# RTE-358C08; Cooper #4000358C08B, NO SUBSTITUTION				
E0942-04	200	Fuse Contact Flare, 25 AMP MFG# RTE-358C10; Cooper #4000358C10B, NO SUBSTITUTION				
E0942-05	200	Fuse Contact Flare, 50 AMP MFG# RTE-358C12; Cooper #4000358C12B, NO SUBSTITUTION				
E0942-06	200	Fuse Contact Flare, 65 AMP MFG# RTE-358C14; Cooper #4000353C14B, NO SUBSTITUTION				
E0942-07	200	Fuse Contact Flare, 100 AMP MFG# RTE-353C16; Cooper #4000353C16B, NO SUBSTITUTION				

COST SHEET

COMMODITY NO.	QTY.	DESCRIPTION	UNIT PRICE	DELIVERY IN DAYS (ARO)	SPECIFY MFG/PART NO.	SPECIFY IF STD PKG APPLIES
E0942-08	200	Fuse Contact Flare, 140 AMP MFG# RTE-353C17; Cooper #4000353C17B, NO SUBSTITUTION				
E0943-00	10	Fuse 40 Amp, NX, Clip Style, 15.5 KV #FA4H40 with Indicator, Code 5				
E0945-00	200	Fuse URD 100 amp current limiting ELSG 3593100M01M				
E0945-02	50	Fuse URD 150 amp current limiting ELSG 3594150M83M				
E0946-00	200	Bushing URD 200A 15K insulated Bushing standoff #2625063B01B; #161SOP; #ISB215				
E0948-00	300	Above Grade Secondary Pedestals, AP#1014DG; Pencil #AG-15HDX-L35-EWB; Hubbell #SP101536MDH; Nordic #PSPS-101544-MG-X; Pencil #AG15HDNL000; Old Castle #12201195 1220-12				
E0948-01	300	Enclosure grade level cable with double locking device, Pencil #PE-20-HDXCL; Highline #1220A3FE1C0 (Note: For commodity E0948-02)				
E0948-02	100	Lid, 3 Hole Flat with Crimp Lock Plates & SS Penta, Head Bolt Lock, Green, Highline Cat# HDPE #1220L3FE1C0; #PE20PLI075P3 (Note: Lid for commodity E0948-01)				
E0948-03	100	Enclosure, Grade Level Cable, "BOX ONLY" MFG# PE20GSI03 GROUND SLEEVE				

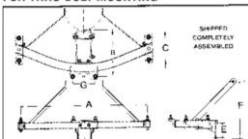
COST SHEET

COMMODITY NO.	QTY.	DESCRIPTION	UNIT PRICE	DELIVERY IN DAYS (ARO)	SPECIFY MFG/PART NO.	SPECIFY IF STD PKG APPLIES
E0959-00	100	Termination, 1/0 STR outdoor cable, cold shrink silicone terminator kit (skirted) with connector, Must be 3M #5641-1/0, Only				
E0960-00	1,500	Sleeve URD 350 MCM splice kit –flood-seal cover kit, homage splice 1-350 set screw w/cover, #USPA-350SSP; #ULS2-350I; #SW350P				
E0963-00	100	15/25/25kv cold shrink splice #62SSCN0R1				
E0965-00	300	Bracket URD Conduit Standoff Aluma-Form #6-CSO-12; Barfield #BASOCL6-12H				
E0965-01	100	Strap URD 2” conduit kit, #STK-2; #CSTK2; #BA5CSB-2				
E0965-02	150	Strap URD 2.5” Conduit, Aluma-Form #STK-2.5				
E0966-00	100	Strap URD 4” Conduit Kit #STK-4; #BA5CSB-4				
E0967-00	100	Strap URD 6" Conduit Kit #STK-6; CSTK6 Aluma-Form; #BA5CSB-6				
E0968-00	20	120” 4 WAY T-SLOT, Special Padmount, #4WT-120 Aluma-Form				
E0970-00	30	Cabinet, Single Phase Aluminum Maysteel #CC33018TH(RS)AL .125 Aluminum TRINETICS # 63294303; BARFIELD #183030SP				
Option 1 E0970-00	20	Cabinet, Single Phase Aluminum or optional part numbers: ENC-SC1-303622-A2-G-JJA (only for this year) Or ENC-SC1-303622-A1-G-JJA (only for this year)				

COST SHEET

COMMODITY NO.	QTY.	DESCRIPTION	UNIT PRICE	DELIVERY IN DAYS (ARO)	SPECIFY MFG/PART NO.	SPECIFY IF STD PKG APPLIES
E0973-00	50	Cabinet URD 3Phase 15KV 200 Amp Trinetics/Maysteel #CW360-18 TH (R) AL Std; 60" wide aluminum enclosure, 0.090" thickness; Munsell 7GY 3.29/1.5 Green Paint ANSI C57.12.28 Dimensions 30"Hx60"Wx18"D ; Must come with Sstl Hinges, lifting nuts, ground nuts, carriage bolts, screw, & washer; Trinetic #63294307 Aluma Form #ENC-SC3-306018-A1-G				
E0974-00	20	Cabinet URD 3Phase 15KV 600 Amp Trinetics/Maysteel #CC366-22 TH (R) AL Std; 66" wide Aluminum enclosure, 0.125" thickness; Munsell 7GY 3.29/1.5 Green Paint ANSI C57.12.28 Dimensions 30"Hx66"Wx22"D ; must come with Sstl Hinges, lifting nuts, ground nuts, carriage bolts, screw, & washer. Trinetic #63294310				
E0975-00	60	Tape URD electric red 6" X 1000' roll, Non-Det, tape to read "Caution Buried Electric Line Below" #B6104R6; #STR361; ALMA #1006				
E0984-00	5	Lug, Terminal URD 4/0 STR, 2-HOLE Burndy #YA282N; Tyco#TCTL2-4/0-1/2-1V-U				
E0984-01	5	Lug, Terminal 1/0 STR. KEARNEY/COOPER CAT#104741-2 NO SUBSTITUTION				
E0985-00	50	Lug, Terminal URD 500 MCM, 2 HOLE Connector KEARNEY #40133-1, NO SUBSTITUTION				
E0986-00	50	Terminator, 500 MCM 15 KV URD, Indoor, Cold Shrink Termination Kit, Must be 3M#7644T110 NO SUBSTITUTION				

COST SHEET

COMMODITY NO.	QTY.	DESCRIPTION	UNIT PRICE	DELIVERY IN DAYS (ARO)	SPECIFY MFG/PART NO.	SPECIFY IF STD PKG APPLIES
E0986-01	100	Terminator, 500 MCM 15 KV URD, Outdoor Cold Shrink Termination Kits, 3M#7654-S-4 NO SUBSTITUTION				
E0987-00	100	LUG, 500 MCM Copper 2-Hole, Burndy #YA342N, NO SUBSTITUTION				
E0990-00	150	Terminal URD 350 MCM #USG-350; #L1M2-350 Barfield				
E0995-00	30	Lug URD Terminal 500 MCM 3-Barrel 4-Hole, CMC/ESP CAT #L3D4-500I; IIsco/Utilco Cat# USG2-500C43				
E1010-00	50	Anchor 3 Helix Power, 3-helix square shaft #J23381ACA; #P012642AEJ; Hubbell# AD588N; Maclean # D-6636				
E1011-00	50	Adapter power anchor guy, Dixie #D-6606-U				
E1012-00	50	Extension 3-1/2' power anchor SS, galvanized steel, 1 1/2" x 3 1/2', #C12655; #D6616U				
E1013-00	50	Extension 5' power anchor SS, galvanized steel, 1 1/2" x 5', #C12656; #J23378-5; #D-6620-U				
E1014-00	50	Extension 7' power anchor SS, galvanized steel, 1 1/2" x 7' #C12657; Maclean #D6625U				
E1019-00	30	Mount 3-Phase equipment Aluma-Form #R3CA48; #BT3CA48 (with complete hardware & braces) FOR THRU-BOLT MOUNTING 				

COST SHEET

COMMODITY NO.	QTY.	DESCRIPTION	UNIT PRICE	DELIVERY IN DAYS (ARO)	SPECIFY MFG/PART NO.	SPECIFY IF STD PKG APPLIES
E1024-00	100	Brace Crossarm Angle, #J1508; Hubbell #6979; Allied #8415				
E1031-00	50	Capacitor 200 Kvar 7200V; double bushing with a BIL rating of 95 kV # CEP140A6				
E1031-01	10	Capacitor 400 KVAR, 7200V, 60HZ 95KV Bill, Cooper# CEP170A6FD 95KV Bill, Cooper# CEP170A6FD				
E1031-02	10	Capacitor 100 KVAR, 7200V Eaton CEP131A6; ABB #2GUA072100G220				
E1033-00	3	Rack 3-Unit Capacitor Aluma-Form #CR3				
E1037-00	400	Clamp 1/0-4/0 AL straight line deadend strain clamp, #ADS-60-N; Maclean# ASD-34-N				
E1038-00	50	Clamp 477 MCM straight line deadend strain clamp, Bethea #ASD45N; #ADS-88-N;				
E1039-00	150	Clamp 795 MCM straight line deadend strain clamp, #ASD-58-N; #ADS116N				
E1050-00	150	Crossarm 8' FT wooden heavy duty D.F., 4-3/4" x 5-3/4" x 8', 2 pin as per BPUB specs drawing No. Eng-4; Specifications located at the end of the document				
E1051-00	100	Crossarm 10' FT wooden heavy duty D.F., 4-3/4" x 5-3/4" x 10' as per BPUB specs drawing No. Eng-10 Specifications located at the end of the document				
E1059-00	100	Insulator fiberglass strain, (one pin and one roller at each end) #GCC21-78R; #GS210-78CC1 (One Pin and One Roller at Each End)				

COST SHEET

COMMODITY NO.	QTY.	DESCRIPTION	UNIT PRICE	DELIVERY IN DAYS (ARO)	SPECIFY MFG/PART NO.	SPECIFY IF STD PKG APPLIES
E1075-00	20	Switch Capacitor 200 AMP, Ultravac Maysteel #33247402, ABB Type PS15-1AMBC-2121s, 200A Oil-less Switch w/120V Motor Operator, 5 Pin Receptacle & 2 WILDLFR Guards, Manual Open/Close with a Visual Indication Status Contact <u>Must Report</u> Change of Status Regardless if the Device was Opened or Closed Manually or Electronically; Cooper #ECSA222BC1 Trayer Catalog #802B9M22WXY				
E1075-01	10	Switch Capacitor 400 KVAR, 7200V, 60HZ 95KV Bill, Cooper# CEP170A6FD NO SUBSTITUTION				
E1083-00	150	Plate Pole Eye #PEP-66-45; Allied #22006				
E1085-00	10	Switch Mfg# AR114FFCPL. Which, it is described below: AR 1 – Clockwise 1 – Horizontal 4 – 150 KV Polymer (29 KV) F – Fiberglass crossarm and interphase shaft F – Control with fiberglass universal top section (as shown on sheet 01) C – Control Insulator P – Additional 7 Ft / 2134 mm of control pipe, coupling guide assembly and hardware L – Surge arrester brackets NO SUBSTITUTION				
E1094-00	10	Clamp End Fitting #J1502; #SWG205 Allied Part # 1437				

COST SHEET

COMMODITY NO.	QTY.	DESCRIPTION	UNIT PRICE	DELIVERY IN DAYS (ARO)	SPECIFY MFG/PART NO.	SPECIFY IF STD PKG APPLIES
E1098-00	288	Foam Pole, Backfill Setting Kits Poly Set #PS-240 for 8 Cubic Feet to Include: 1- 6 Gal Jug, 1- 2 Gal. Jug, 1- pair of Vinyl Gloves, 1- Wooden Stir Stick; 1- Metal Drill Mixer One Lot = 16 ea (NO SUBSTITUTION)				
E1098-01	288	Foam Pole, Back Fill Straightening Kits Poly Set #PS-215 for 3 cubic Feet; to include: 1-1 Gal Jug, 1-2 Gal Plastic Jug 1-pair Vinyl Gloves, 1-Wooden Stir Stick 1-Metal Drill Mixer One Lot = 48 ea (NO SUBSTITUTION)				
E1145-00	200	Clamp Fiber Optic Tangent #44009823, #FOSC 6055-PB; AFL #ATGN 526/575; Mosdorfer #FOSC0575				
E1202-00	10	Arm 4 FT Street Light, Wood Pole Mount Alum. Light Brackets 2" SCH. 40 Pipe With Ground Lug, 2" X 4'; Curlee #2004824(G); SALCO WP-2-4-A				
E1203-00	50	Arm 6 ft Street Light Wood Pole Mounting #P125S060, SALCO# WP-125-6S; MPS #S-125-6G				
E1207-00	150	Bracket Alum. Floodlight, Curlee FL200189G, SALCO #WPF-2-1.5-A-GRM; AMI-462A must come with bolt sets (hardware)				
E1239-00	150	Lamp LED, For Historical Fixtures (E1259-00) GE CAT# 22622 LED115ED28/740 "NO SUBSTITUTE"				
E1240-00	200	Photocell Fiberglass Pole Mount, Intermatic# K4021C; Fisher Pierce #FPFA105				
E1241-00	50	Photocell, 120V Wall mount, Intermatic #K4221C				

COST SHEET

COMMODITY NO.	QTY.	DESCRIPTION	UNIT PRICE	DELIVERY IN DAYS (ARO)	SPECIFY MFG/PART NO.	SPECIFY IF STD PKG APPLIES
E1242-01 LED Photocell	3,500	Photocell LED 1000W, 120/208/240/277V Manufacturer: Ripley Lighting Controls Model #: 6390LL-BK; voltage range 105-305 Description: Microprocessor Controlled Longlife II Photocontrol – (120 – 277V), “NO SUBSTITUTE”				
E1243-01 LED Photocell	100	Photocell LED, 1000W 408, Voltage Range 432-528; Manufacturer: Ripley Lighting Controls Model #: 6394LL Description: Microprocessor Controlled Longlife II Photocontrol – (480V), “NO SUBSTITUTE”				
E1259-00	30	Fixture 250W HPS Historic Type 120V, Black With 4" X 6" Long Aluminum Tenon Adapter; ELA # PART# MED/17/PT- MOD/V5/120LED/40/120/CG/MN, “NO SUBSTITUTE” To be released as needed and be billed as such. BPUB will not accept a full shipment.				
E1365-00	1,000	Cap Barrel Lock W/End Brooks #8509910 NO SUBSTITUTION				
E1366-00	1,000	Cap Barrel Lock W/O End Brooks #8509900 NO SUBSTITUTION				

COST SHEET

COMMODITY NO.	QTY.	DESCRIPTION	UNIT PRICE	DELIVERY IN DAYS (ARO)	SPECIFY MFG/PART NO.	SPECIFY IF STD PKG APPLIES
E1367-00	1,000	CAP Heavy Duty Slotted End, Brooks #8720000 NO SUBSTITUTION				
E1368-00	1,000	Adapter T- Shape W/Seal, Brooks #8750000 NO SUBSTITUTION				
E1369-00	1,000	Cap Weather For Barrel Lock, Brooks #683 NO SUBSTITUTION				
E0969-01	6	<p>SWITCHGEAR, 3PH Outdoor Padmount, 15 KV2SD-MOSTF-9-OIL-SS-6/200A-2D, 6-600 AMP Source Bushing and 6-200 AMP Tap Bushings, 2-3PH Oil Switches, 3-ELSG Fuseholders; Std. Fault Indicator-Provisions, Two Sided, Top Hinged Doors, 304 STAINLESS STEEL CONSTRUCTION (304 SSTL Enclosure - TANK & LID) Trayer #802B9M22FLWXY must come with six additional blue grommets per unit, for multi-barrel fuses rated up to 200A,</p> <p>COOPER MOST 9 - OIL TYPE SIZE 42.5HX62.5WX68.5D COOPER MODEL # KP00320L10G62A TRAYER CATALOG PART# 802B9M22WXY OR EQUAL</p> <p>Specifications located at the end of the document</p>				

COST SHEET

COMMODITY NO.	QTY.	DESCRIPTION	UNIT PRICE	DELIVERY IN DAYS (ARO)	SPECIFY MFG/PART NO.	SPECIFY IF STD PKG APPLIES
E0972-01	5	<p>SWITCHGEAR, 3 Phase Outdoor 15KV-2SD-MOST11 OIL-SS-600/200-2D Padmount, 15 KV, (3 EA) 600-Amp Source Bushing and (1 EA) 200 Amp Tap Bushings, Stainless Steel Construction (Tank 7 Lid)</p> <p>Trayer CAT #802E11M22FLWXY; DRAWING #930603</p> <p>COOPER MOST 11 - OIL TYPE SIZE 42.5HX62.5WX74.5D MODEL# KP00320L12G09A TRAYER CAT #802E11M22FLWXY OR EQUAL</p> <p>Specifications located at the end of the document</p>				

COST SHEET

COMMODITY NO.	QTY.	DESCRIPTION	UNIT PRICE	DELIVERY IN DAYS (ARO)	SPECIFY MFG/PART NO.	SPECIFY IF STD PKG APPLIES
---------------	------	-------------	------------	------------------------	----------------------	----------------------------

LED Fixtures **Must** come with the **Standard NEMA Reflective Labels** with the wattage displayed

E1219-02	100	<p>Fixture LED Floodlight</p> <p>39W (120 - 277V) Acuity, 75LED-P10-MVOLT-66-YK-0463-P7</p> <p>50W (120 - 277V) Eaton (Formerly Cooper), UFLD-S-CA1-50-740-U-66-T-AP-20MSP-PR7</p> <p>“NO SUBSTITUTE”</p> <p>To be released as needed and be billed as such. BPUB will not accept a full shipment.</p>				
E1220-02	250	<p>Fixture LED Floodlight</p> <p>99W (120-277V) Acuity #75LED-P40-MVOLT-66-YK-P7-0563-P7</p> <p>124W (120 - 277V) Eaton (Formerly Cooper) UFLD-CA2-120-740-U-66-Y-AP-20MSP-PR7</p> <p>130W (120-277) Excellence Opto # EFL-1-A1-66-090-40M-900-I-U-1-5-3-3</p> <p>“NO SUBSTITUTE”</p> <p>To be released as needed and be billed as such. BPUB will not accept a full shipment.</p>				

COST SHEET

COMMODITY NO.	QTY.	DESCRIPTION	UNIT PRICE	DELIVERY IN DAYS (ARO)	SPECIFY MFG/PART NO.	SPECIFY IF STD PKG APPLIES
E1221-02	400	<p>Fixture LED Floodlight 218W (120-277V) EOI #EFL1-1-L330-UD-66-40-GY-20V-7R-Y6-14</p> <p>254W (120-277VB) Acuity #ACP0LED-P60-MVOLT-66-YK-P7-0563</p> <p>251W (120/277V) Eaton/Cooper #UFLD-L-CA4-250-740-U-66-Y-AP-20MSP-PR7</p> <p>“NO SUBSTITUTE”</p> <p>To be released as needed and be billed as such. BPUB will not accept a full shipment.</p>				
E1222-02	400	<p>Cobra Head LED Fixture for Street Lighting and Security (Area) Lighting</p> <p>40W (120-277) Trastar #DURA-ST10-4K-120-2-GR-SCLB</p> <p>40W (120-277) ATBS E MVOLT R2 P7</p> <p>39W (120-277) VERD-C016-D-U-T2-4N7-10MSP-AP</p> <p>55W (120-277) ESU-F-A01-2M-016-40S-105-FIU1-1512N</p> <p>“NO SUBSTITUTE”</p> <p>To be released as needed and be billed as such. BPUB will not accept a full shipment.</p>				

COST SHEET

COMMODITY NO.	QTY.	DESCRIPTION	UNIT PRICE	DELIVERY IN DAYS (ARO)	SPECIFY MFG/PART NO.	SPECIFY IF STD PKG APPLIES
E1223-03	150	<p>Cobra Head LED Fixture for Street Lighting and Security (Area) Lighting, EXPRESSWAY</p> <p>120W (480V) Phillips #[RFM-004]-108W48LED4K-T-R2M[HVU-002]-DMG-ML-PH9-RCD-SP2- GY3</p> <p>135W (480V) Trastar #DURA-STR25-4K-480-2-GR-SCLB</p> <p>170W (480V) Green Star #XAVH12434SNXXI</p> <p>125W (480V) Visionaire #RLX-3-T2-125W-4K-5-MAF-GY-7PINPER-DIM-20KV-EBL-UWL</p> <p>119W (480V) Eaton/Cooper #VERD-C02H-D-8-T2-4N7-20K-AP-TXDOT-D96082</p> <p>126W (480V) Acuity #ATB0 30BLEDE13 480 R2 20 BL NL SH RFD244669</p> <p>130W (480V) General Electric #ERS2-H-E3-E1-7-40-4-GRAY-134</p> <p>161W (480V) Excelence Opto #ESU-EA023P03240M150DIU1-1638N</p> <p>“NO SUBSTITUTE”</p> <p>To be released as needed and be billed as such. BPUB will not accept a full shipment.</p>				

COST SHEET

COMMODITY NO.	QTY.	DESCRIPTION	UNIT PRICE	DELIVERY IN DAYS (ARO)	SPECIFY MFG/PART NO.	SPECIFY IF STD PKG APPLIES
E1223-04	2,000	<p>Cobra Head LED Fixture for Street Lighting and Security (Area) Lighting</p> <p>120W (120-277V) Phillips [RFM-004]-108W48LED4K-T-R2M[UNIV-009]-DMG-ML-PH9-RCD-SP2- GY3</p> <p>125W (120-277V) Visionaire #RLX-3-T2-125W-4K-UNIV-MAF-GY-7PINPER-DIM-20KV-EBL-UWL</p> <p>120W (120-277V) Green Star #XAVX12431SNXXI</p> <p>120W (120-277V) Acuity #ATB0 30BLEDE13 MVOLT R2 20 BL NL SH RFD244668</p> <p>120W (120-277V) General Electric #ERS2-0-E3-E1-7-40-4-GRAY-083</p> <p>120W (120-277V) Eaton/Cooper #VERD-G-A02-D-U-T2-4N7-20K-AP-TXDOT-D0027</p> <p>120W (120-277V) EOI #ESU-EA013P03240M150DIU1-1648N</p> <p>120W (120-277V) Trastar #DURA-STR25-4K-120-2-GR-SCLB</p> <p>“NO SUBSTITUTE” To be released as needed and be billed as such. BPUB will not accept a full shipment.</p>				

COST SHEET

COMMODITY NO.	QTY.	DESCRIPTION	UNIT PRICE	DELIVERY IN DAYS (ARO)	SPECIFY MFG/PART NO.	SPECIFY IF STD PKG APPLIES
E1224-02	150	<p>Cobra Head LED Fixtures for Street Lights</p> <p>185W (120-277) Trastar #DURA-STR40-4K-120-2-GR-SCLB</p> <p>200W (120-277) Phillips #[RFL-006]-180W80LED4K-T-R2M[UNIV-009]-DMG-ML-PH9-RCD-SP2- GY3</p> <p>240W (120-277) Green Star #XAVX20431SNXXI</p> <p>209W (120-277) Acuity #ATBL D MVOLT R2 4B 20 NL SH RFD209798</p> <p>235W (120-277) EOI #ESU-EA013P04840L150DIU1-1648N</p> <p>285W (120-277) General Electric #ERS2-0-H3-E1-1-40-4-GRAY-135</p> <p>“NO SUBSTITUTE”</p> <p>To be released as needed and be billed as such. BPUB will not accept a full shipment.</p>				

COST SHEET

COMMODITY NO.	QTY.	DESCRIPTION	UNIT PRICE	DELIVERY IN DAYS (ARO)	SPECIFY MFG/PART NO.	SPECIFY IF STD PKG APPLIES
E1226-01	50	<p>Cobra Head LED Fixture for Street Lighting</p> <p>185W (480V) Trastar #DURA-STR40-4K-480-2-GR-SCLB</p> <p>200W (480V) Phillips # [RFL-006]-180W80LED4K-T-R2M[HVU-002]-DMG-ML-PH9-RCD-SP2- GY3</p> <p>240W (480V) Green Star #XAVH20434SNXXI</p> <p>209W (480V) Acuity #ATBL D 480 R2 4B20 NL SH RFD220060</p> <p>235W (480V) EOI #ESU-EA023P04840L150DIU1-1638N</p> <p>285W (480V) General Electric #ERS2-H-H3-E1-1-40-4-GRAY-136</p> <p>“NO SUBSTITUTE”</p> <p>To be released as needed and be billed as such. BPUB will not accept a full shipment.</p>				

COST SHEET

COMMODITY NO.	QTY.	DESCRIPTION	UNIT PRICE	DELIVERY IN DAYS (ARO)	SPECIFY MFG/PART NO.	SPECIFY IF STD PKG APPLIES
E1302-00	12	METER, DEMAND , SINGLE PHASE SOLID STATE 120-480V, 3-WIRE, CLASS 20, FORM 4S. ELSTER #QC220000; ITRON #G980202; L&G AXS4e; L&G CAT #4E3Q000A-0000 OR EQUAL. To be released 6 each as needed and be billed as such.				
E1303-00	42	SINGLE PHASE NON-DEMAND I-210 ENERGY (KWH), 240 VOLT, 30 AMP, 3-WIRE CL320 #2S SSE, WITHOUT ERT MODULE , LEXAN COVER L&G #EA140000-0S29, KWH ONLY OR EQUAL To be released 6 each as needed and be billed as such.				
E1305-00	20	METER NON-DEMAND , 3-PHASE 120-480V 4-WIRE DELTA CL 200#16S/15S AXSE4E, OPTICAL PORT HUNT READY NO TL PART #4E0B0DXA-Otec-J000 OR EQUAL To be released as needed and be billed as such.				
E1306-00	1,064	METER NON-DEMAND SOLID STATE ELECTRIC METERS, RESIDENTIAL, SOCKET TYPE, SINGLE PHASE, FORM 2S, 240 VOLT, 3 WIRE, CLASS 200, #2S SSE, (RADIO FREQUENCY), ISO2199100, 30 TEST AMPS, 5 DIGIT CYCLOMETER, LEXAN COVER, TEST LINK TO BE OMITTED; COMPLETE WITH ITRON ERT MODULE OR ITRON COMPATIBLE RADIO FREQUENCY MODULE, GE #726X210126; ITRON #G980322 OR EQUAL To be released 92 each as needed and be billed as such.				

COST SHEET

COMMODITY NO.	QTY.	DESCRIPTION	UNIT PRICE	DELIVERY IN DAYS (ARO)	SPECIFY MFG/PART NO.	SPECIFY IF STD PKG APPLIES
E1307-00	16	METER, DEMAND SINGLE PHASE MULTIVOLT METER 120-480V, 3-WIRE, FORM# 12S, GE #784X100001 To be released as needed and be billed as such.				
E1307-01	12	METER, NON-DEMAND 3 WIRE NETWORK SERVICE 120-208V FORM 12S, CL200, 5TH PRONG (NEUTRAL) POSITIONED AT 9 O'CLOCK LOCAL SERVICE, CONNECTION/DISCONNECT VIA OPTICAL, PORT; ACLARA #784X100001 To be released as needed and be billed as such.				
E1307-02	48	METER, DEMAND 1PHASE MULTIVOLT 120V-480V 3WIRE FM12S CL320, HONEYWELL# ZD541000000 OR EQUAL To be released as needed and be billed as such.				
E1308-00	3,000	METER, NON-DEMAND, SINGLE PHASE SOLID STATE WATTHOUR METER 240 VOLTS, 3-WIRE, CLASS 200, FORM #2S, SOLID STATE, 30 TEST AMPS, 60 HZ, LEXAN COVER TAMPER PROOF (TO INCLUDE CONCEALED COVER LOCK TO INHIBIT UNAUTHORIZED REMOVAL OF COVER). NO EXTERNAL TEST LINK, METER TO BE PRE-NUMBERED; NUMBER TO BE SILK SCREENED ON NAME PLATE. ITRON #G980181 OR EQUAL To be released 480 ea as needed and be billed as such. .				

COST SHEET

COMMODITY NO.	QTY.	DESCRIPTION	UNIT PRICE	DELIVERY IN DAYS (ARO)	SPECIFY MFG/PART NO.	SPECIFY IF STD PKG APPLIES
E1309-00	12	METER, NON-DEMAND , 1-PHASE 120V 2-WIRE CL 100 #1S CAT#EA000000-0S29; GE #727X100027OR EQUAL To be released as needed and be billed as such.				
E1312-00	8	METER DEMAND , 3PH FORM 8/9S WITH MODEM, L&G TYPE RXRS4; METER WILL INCLUDE THE FOLLOWING OPTIONS: REACTIVE MEASUREMENT UPGRADE FIFTEEN (15) CHANNEL RECORDER, 128K RAM RECORDER BATTERY SPECIAL NOTE: ***PER BPUB ELECTRICAL METER SHOP, THESE METERS MUST BE LANDIS+GYR DUE TO BILLING ISSUES*** To be released 24 each as needed and be billed as such.				
E1312-02	8	METER, DEMAND , 3 PHASE, FORM 8/9S CELLULAR MODEM 120/240V, 3 WIRE CLASS 10 RP-9S-RXRS4E LANDIS & GYR REACTIVE & RECORDER To be released 24 each as needed and be billed as such.				

COST SHEET

COMMODITY NO.	QTY.	DESCRIPTION	UNIT PRICE	DELIVERY IN DAYS (ARO)	SPECIFY MFG/PART NO.	SPECIFY IF STD PKG APPLIES
E1313-00	120	<p>METER, DEMAND, 3 PHASE ELECTRONIC SOLID STATE, 120-480 VOLTS, 2.5 TEST AMPS, CLASS 20, 4WY/4WD, FORM 8/9S REACTIVE MEASUREMENTS UPGRADE, PROGRAMMABLE TO DISPLAY AND HOLD IN REGISTER KILOWATT-HOURS, PEAK KILOWATTS POWER FACTOR AT THE TIME OF PEAK KILOWATTS AND KILOVARS AT THE TIME OF PEAK KILOWATTS. ELSTER #ZD3200000L0; LANDIS & GYR TYPE RXS4E; GE #787X900259, ITRON G980633, OR EQUAL</p> <p>*NOTE: METERS MUST BE REACTIVE AND SOFTWARE MUST BE ACCEPTED BY BPUB PRIOR TO AN AWARD*</p> <p>To be released 24 each as needed and be billed as such.</p>				
E1314-00	168	<p>METER, DEMAND 3-PHASE SOLID STATE, SSE, 120-480 MULTIVOLTAGE, CLASS 200, FORM 16/15S PROGRAMMABLE TO DISPLAY AND HOLD IN REGISTER KILOWATT-HOURS, PEAK KILOWATTS POWER FACTOR AT THE TIME OF PEAK KILOWATTS AND KILOVARS AT THE TIME OF PEAK KILOWATTS. LANDIS & GYR TYPE RXS4E, ITRON #G980631; SENTINEL CAT #6342000; GE #787X400246; ELSTER #ZD3300000L0 OR EQUAL.</p> <p>*NOTE: METERS MUST BE REACTIVE and Software must be accepted by BPUB prior to an award***</p> <p>To be released 24 each as needed and be billed as such.</p>				

COST SHEET

COMMODITY NO.	QTY.	DESCRIPTION	UNIT PRICE	DELIVERY IN DAYS (ARO)	SPECIFY MFG/PART NO.	SPECIFY IF STD PKG APPLIES
E1315-00	60	METER, DEMAND, 3 PHASE SOLID STATE 120/480 V, CL320, FORM 16SE, POWER FACTOR & KVAR, CAPABILITY (REACTIVE METER - NO RECORDER), CATALOG #4E0E000A-0S29, RXS4E; ITRON# G38-0035/G980770; GE# 787X400362 OR EQUAL To be released as needed and be billed as such.				
E1316-00	400	METER, DEMAND, SINGLE PHASE ELECTRONIC SOLID STATE, 240 VOLTS, 3-WIRE, CL200, FORM #2S. ITRON #G980182 (NO SUBSTITUTE). To be released 24 each as needed and be billed as such.				
E1317-01	12	METER, DEMAND, 3 PHASE, 120-480V, RXRS4E REACTIVE W/ RECORDER; RP-9S-RXRS4E FORM 8/9S LANDIS & GYR #9S RXRS4E "NO SUBSTITUTE" To be released as needed and be billed as such.				
E1321-00	8	METER, DEMAND 3-PH 120-480V 3-WIRE CL10 #5S, RXS4E <u>REACTIVE METER, RXS4E</u> To be released as needed basis be billed as such				

COST SHEET

COMMODITY NO.	QTY.	DESCRIPTION	UNIT PRICE	DELIVERY IN DAYS (ARO)	SPECIFY MFG/PART NO.	SPECIFY IF STD PKG APPLIES
E1323-00	40	METER DEMAND 1-PHASE FORM 2S, CLASS 320, 240VOLTS, 60Hz, NO MODULE, 50 TEST AMPS, 5 DIGITS, ITRON J360502 OR EQUAL To be released as needed and be billed as such				
E1326-00	24	METER DEMAND, 1-PHASE SOLID STATE, 120-480 MULTIVOLTAGE, CLASS 200, FORM 2S, 60 HERTZ, 5 DIGITS To be released as needed and be billed as such				
E1327-00	8	METER, DEMAND 1-PHASE 120-480V 2-WIRE CL20 #3S, TYPE SS1S1D - PROGRAMMABLE TO DISPLAY AND HOLD IN REGISTER KILOWATT-HOURS, PEAK KILOWATTS POWER FACTOR AT THE TIME OF PEAK KILOWATTS To be released as needed and be billed as such				

- **Note: Vendor must provide all electric meter serial numbers and ERT numbers** (ERT #, if applicable) with the barcode number on the outside of the box and with each shipment via email, CD or USB.

COST SHEET

COMMODITY NO.	QTY.	DESCRIPTION	UNIT PRICE	DELIVERY IN DAYS (ARO)	SPECIFY MFG/PART NO.	SPECIFY IF STD PKG APPLIES
---------------	------	-------------	------------	------------------------	----------------------	----------------------------

OPTIONAL – REFURBISH/RE-CERTIFIED ELECTRIC METER

E1302-00	12	METER, DEMAND , SINGLE PHASE SOLID STATE 120-480V, 3-WIRE, CLASS 20, FORM 4S. ELSTER #QC220000; ITRON #G980202; L&G AXS4e; L&G CAT #4E3Q000A-0000 OR EQUAL. To be released 6 each as needed and be billed as such.				
E1303-00	42	SINGLE PHASE NON-DEMAND I-210 ENERGY (KWH), 240 VOLT, 30 AMP, 3-WIRE CL320 #2S SSE, WITHOUT ERT MODULE , LEXAN COVER L&G #EA140000-0S29, KWH ONLY OR EQUAL To be released 6 each as needed and be billed as such.				
E1305-00	20	METER NON-DEMAND , 3-PHASE 120-480V 4-WIRE DELTA CL 200#16S/15S AXSE4E, OPTICAL PORT HUNT READY NO TL PART #4E0B0DXA-OTEC-J000 OR EQUAL To be released as needed and be billed as such.				

COST SHEET

COMMODITY NO.	QTY.	DESCRIPTION	UNIT PRICE	DELIVERY IN DAYS (ARO)	SPECIFY MFG/PART NO.	SPECIFY IF STD PKG APPLIES
E1306-00	1,064	<p>METER NON-DEMAND SOLID STATE ELECTRIC METERS, RESIDENTIAL, SOCKET TYPE, SINGLE PHASE, FORM 2S, 240 VOLT, 3 WIRE, CLASS 200, #2S SSE, (RADIO FREQUENCY), ISO2199100, 30 TEST AMPS, 5 DIGIT CYCLOMETER, LEXAN COVER, TEST LINK TO BE OMITTED; COMPLETE WITH ITRON ERT MODULE OR ITRON COMPATIBLE RADIO FREQUENCY MODULE, GE #726X210126; ITRON #G980322 OR EQUAL</p> <p>To be released 92 each as needed and be billed as such.</p>				
E1307-00	16	<p>METER, DEMAND SINGLE PHASE MULTIVOLT METER 120-480V, 3-WIRE, FORM# 12S, GE #784X100001</p> <p>To be released as needed and be billed as such.</p>				
E1307-01	12	<p>METER, NON-DEMAND 3 WIRE NETWORK SERVICE 120-208V FORM 12S, CL200, 5TH PRONG (NEUTRAL) POSITIONED AT 9 O'CLOCK LOCAL SERVICE, CONNECTION/DISCONNECT VIA OPTICAL, PORT; ACLARA #784X100001</p> <p>To be released as needed and be billed as such.</p>				
E1307-02	48	<p>METER, DEMAND 1PHASE MULTIVOLT 120V-480V 3WIRE FM12S CL320, HONEYWELL# ZD541000000 OR EQUAL</p> <p>To be released as needed and be billed as such.</p>				

COST SHEET

COMMODITY NO.	QTY.	DESCRIPTION	UNIT PRICE	DELIVERY IN DAYS (ARO)	SPECIFY MFG/PART NO.	SPECIFY IF STD PKG APPLIES
E1308-00	3,000	<p>METER, NON-DEMAND, SINGLE PHASE SOLID STATE WATTHOUR METER 240 VOLTS, 3-WIRE, CLASS 200, FORM #2S, SOLID STATE, 30 TEST AMPS, 60 HZ, LEXAN COVER TAMPER PROOF (TO INCLUDE CONCEALED COVER LOCK TO INHIBIT UNAUTHORIZED REMOVAL OF COVER). NO EXTERNAL TEST LINK, METER TO BE PRE-NUMBERED; NUMBER TO BE SILK SCREENED ON NAME PLATE. ITRON #G980181 OR EQUAL</p> <p>To be released 480 ea as needed and be billed as such. .</p>				
E1309-00	12	<p>METER, NON-DEMAND, 1-PHASE 120V 2-WIRE CL 100 #1S CAT#EA000000-0S29; GE #727X100027OR EQUAL</p> <p>To be released as needed and be billed as such.</p>				
E1312-00	8	<p>METER DEMAND, 3PH FORM 8/9S WITH MODEM, L&G TYPE RXRS4; METER WILL INCLUDE THE FOLLOWING OPTIONS: REACTIVE MEASUREMENT UPGRADE FIFTEEN (15) CHANNEL RECORDER, 128K RAM RECORDER BATTERY</p> <p>SPECIAL NOTE: ***PER BPUB ELECTRICAL METER SHOP, THESE METERS MUST BE LANDIS+GYR DUE TO BILLING ISSUES***</p> <p>To be released 24 each as needed and be billed as such.</p>				

COST SHEET

COMMODITY NO.	QTY.	DESCRIPTION	UNIT PRICE	DELIVERY IN DAYS (ARO)	SPECIFY MFG/PART NO.	SPECIFY IF STD PKG APPLIES
E1312-02	8	METER, DEMAND , 3 PHASE, FORM 8/9S CELLULAR MODEM 120/240V, 3 WIRE CLASS 10 RP-9S-RXRS4E LANDIS & GYR REACTIVE & RECORDER To be released as needed and be billed as such.				
E1313-00	120	METER, DEMAND , 3 PHASE ELECTRONIC SOLID STATE, 120-480 VOLTS, 2.5 TEST AMPS, CLASS 20, 4WY/4WD, FORM 8/9S REACTIVE MEASUREMENTS UPGRADE, PROGRAMMABLE TO DISPLAY AND HOLD IN REGISTER KILOWATT-HOURS, PEAK KILOWATTS POWER FACTOR AT THE TIME OF PEAK KILOWATTS AND KILOVARS AT THE TIME OF PEAK KILOWATTS. ELSTER #ZD320000L0; LANDIS & GYR TYPE RXS4E; GE #787X900259, ITRON G980633, OR EQUAL *NOTE: METERS MUST BE REACTIVE AND SOFTWARE MUST BE ACCEPTED BY BPUB PRIOR TO AN AWARD* To be released 24 each as needed and be billed as such.				

COST SHEET

COMMODITY NO.	QTY.	DESCRIPTION	UNIT PRICE	DELIVERY IN DAYS (ARO)	SPECIFY MFG/PART NO.	SPECIFY IF STD PKG APPLIES
E1314-00	168	<p>METER, DEMAND 3-PHASE SOLID STATE, SSE, 120-480 MULTIVOLTAGE, CLASS 200, FORM 16/15S PROGRAMMABLE TO DISPLAY AND HOLD IN REGISTER KILOWATT-HOURS, PEAK KILOWATTS POWER FACTOR AT THE TIME OF PEAK KILOWATTS AND KILOVARs AT THE TIME OF PEAK KILOWATTS. LANDIS & GYR TYPE RXS4E, ITRON #G980631; SENTINEL CAT #6342000; GE #787X400246; ELSTER #ZD3300000L0 OR EQUAL.</p> <p>*NOTE: METERS MUST BE REACTIVE and Software must be accepted by BPUB prior to an award*** To be released 24 each as needed and be billed as such.</p>				
E1315-00	60	<p>METER, DEMAND, 3 PHASE SOLID STATE 120/480 V, CL320, FORM 16SE, POWER FACTOR & KVAR, CAPABILITY (REACTIVE METER - NO RECORDER), CATALOG #4E0E000A-0S29, RXS4E; ITRON# G38-0035/G980770; GE# 787X400362 OR EQUAL</p> <p>To be released as needed and be billed as such.</p>				
E1316-00	400	<p>METER, DEMAND, SINGLE PHASE ELECTRONIC SOLID STATE, 240 VOLTS, 3-WIRE, CL200, FORM #2S. ITRON #G980182</p> <p>(NO SUBSTITUTE).</p> <p>To be released 24 each as needed and be billed as such.</p>				

COST SHEET

COMMODITY NO.	QTY.	DESCRIPTION	UNIT PRICE	DELIVERY IN DAYS (ARO)	SPECIFY MFG/PART NO.	SPECIFY IF STD PKG APPLIES
E1317-01	12	METER, DEMAND, 3 PHASE, 120-480V, RXRS4E REACTIVE W/ RECORDER; RP-9S-RXRS4E FORM 8/9S LANDIS & GYR #9S RXRS4E "NO SUBSTITUTE" To be released as needed and be billed as such.				
E1321-00	8	METER, DEMAND 3-PH 120-480V 3-WIRE CL10 #5S, RXS4E REACTIVE METER, RXS4E To be released as needed basis be billed as such				
E1323-00	40	METER DEMAND 1-PHASE FORM 2S, CLASS 320, 240VOLTS, 60Hz, NO MODULE, 50 TEST AMPS, 5 DIGITS, ITRON J360502 OR EQUAL To be released as needed and be billed as such				
E1326-00	24	METER DEMAND, 1-PHASE SOLID STATE, 120-480 MULTIVOLTAGE, CLASS 200, FORM 2S, 60 HERTZ, 5 DIGITS To be released as needed and be billed as such				
E1327-00	8	METER, DEMAND 1-PHASE 120-480V 2-WIRE CL20 #3S, TYPE SS1S1D - PROGRAMMABLE TO DISPLAY AND HOLD IN REGISTER KILOWATT-HOURS, PEAK KILOWATTS POWER FACTOR AT THE TIME OF PEAK KILOWATTS To be released as needed and be billed as such				

- **Note: Vendor must provide all electric meter serial numbers and ERT numbers** (ERT #, if applicable) with the barcode number on the outside of the box and with each shipment via email, CD or USB.

Special Instructions:

- **IF YOU ARE NOT BIDDING THE SPECIFIED BRAND NAME, THE BPUB MAY REQUEST A “CUT SHEET” FROM THE PRODUCT YOU ARE BIDDING ON.**
- **VENDOR IS REQUIRED TO SUBMIT “CUT SHEET” WITHIN TWO (2) BUSINESS DAYS FROM NOTIFICATION IN ORDER FOR VENDOR’S ITEM TO BE CONSIDERED.**
- **VENDOR SHALL NOT WITHDRAW THEIR BID WITHIN 90 DAYS FROM THE OPENING DATE. DILIGENCE IS HIGHLY RECOMMENDED.**

Material is to be released as requested and be billed as such. The noted quantities are based on a yearly usage, the Purchase Order quantities are subject to BPUB’s right to increase or decrease as deemed necessary. Stipulate below, if an increase or decrease in quantity affects bid price:

- (____) Yes, an increase or decrease in quantity affects bid price.
- (____) No, an increase or decrease in quantity will not affect bid price.

Price shall remain firm for 12 months after date of purchase order

Company Name: _____

Authorized Company Representative: _____
Print Name

Authorized Company Representative: _____
Signature *Failure to sign bid will disqualify it*

Company Address: _____

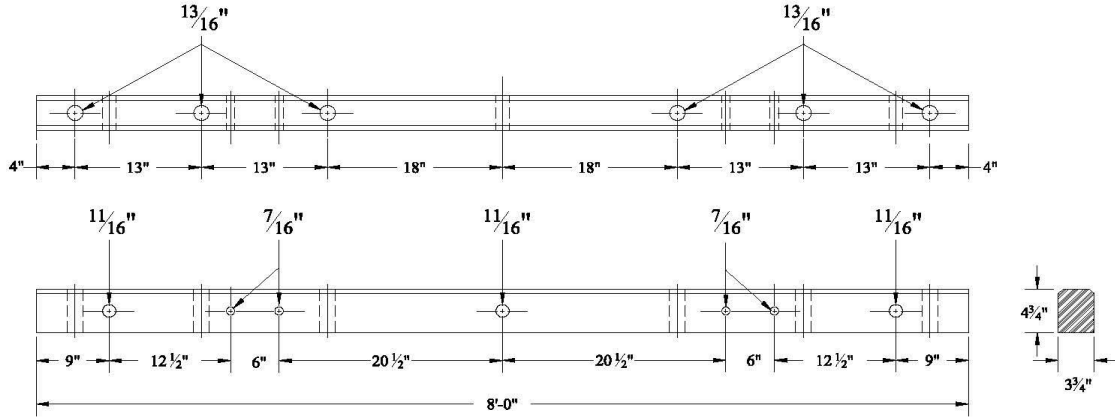
Telephone #: _____

Fax #: _____

Email: _____

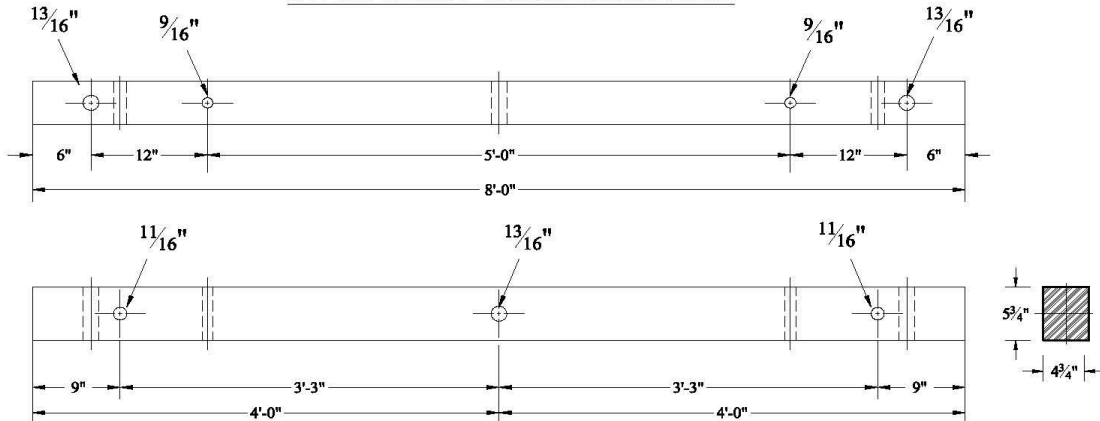
**BROWNSVILLE PUBLIC UTILITIES BOARD
ELECTRICAL ENGINEERING DEPARTMENT**

8' 6 PIN DISTRIBUTION CROSSARM DETAIL




MATERIAL: DOUGLAS FIR-DENSE SELECT STRUCTURAL GRADE
TREATMENT: EEI SPEC. T.D.90 HOT & COLD PENTA DIPPED
INCISING: ALL FOUR FACE SPACING 1/2" ALTERNATING, DEPTH 3/16" MIN, 1/4" MAX.

8' 2 PIN HEAVY CROSSARM DETAIL



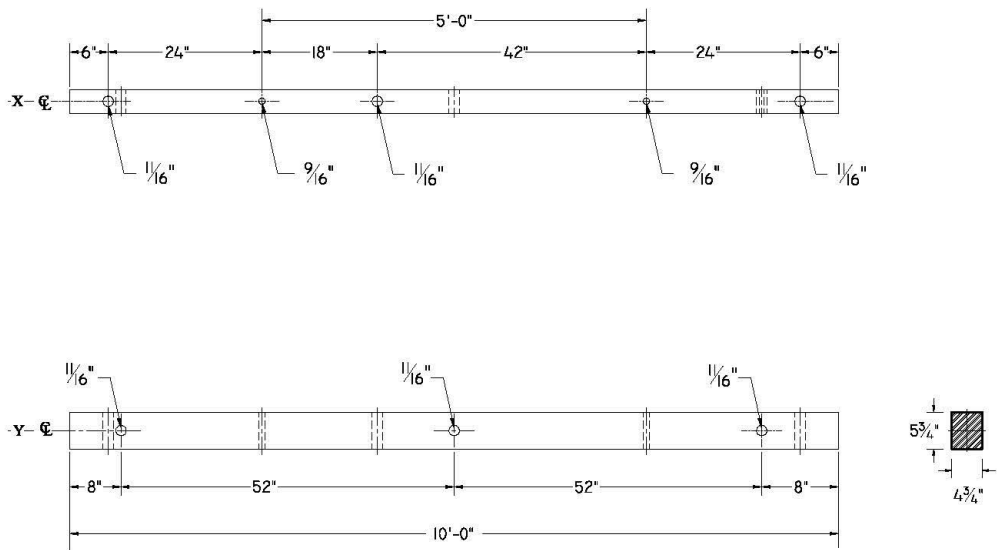
MATERIAL: DOUGLAS FIR-DENSE SELECT STRUCTURAL GRADE
TREATMENT: EEI SPEC. T.D.90 HOT & COLD PENTA DIPPED
INCISING: ALL FOUR FACE SPACING 1/2" ALTERNATING, DEPTH 3/16" MIN, 1/4" MAX.

NOTE: FIELD DRILL AS REQUIRED

 BROWNSVILLE PUBLIC UTILITIES BOARD	CROSSARM DETAILS 8' 6 PIN DISTRIBUTION CROSSARM DETAIL 8' 2 PIN HEAVY CROSSARM DETAIL	DEVELOPED BY:	STANDARDS COMMITTEE	 <small>STATE OF TEXAS</small> <small>JAMES MCCANN</small> <small>84436</small> <small>APR 2000</small> <small>ORIGINAL SEAL</small>
		APPROVED: Rev.1	18-DEC-07	
		DRAWING NUMBER	ENG-4	

**BROWNSVILLE PUBLIC UTILITIES BOARD
ELECTRICAL ENGINEERING DEPARTMENT**

10 FT HEAVY DUTY CROSSARM DETAIL



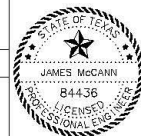
MATERIAL: DOUGLAS FIR-DENSE SELECT STRUCTURAL GRADE
 TREATMENT: EEI SPEC. T.D.90 HOT & COLD PENTA DIPPED
 INCISING: ALL FOUR FACE SPACING 1/2" ALTERNATING, DEPTH 3/16" MIN, 1/4" MAX.

SCALE: 1:2



**CROSSARM DETAILS
10 FT HEAVY DUTY CROSSARM**

DEVELOPED BY:	STANDARDS COMMITTEE
APPROVED:	17-Jan-08
DRAWING NUMBER	ENG-10



MOST 9, E0969-01

Type MOST Oil Switch

ORDERING INFORMATION

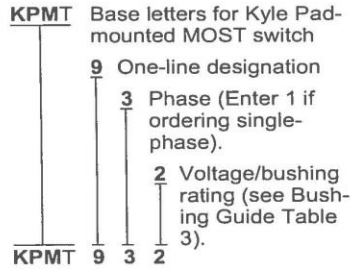
To order a Type MOST Pad-mounted Switch:

1. Refer to Tables 2 or 4. Select the one-line diagram that meets your requirements for switching capability and bushing configuration. Then select operating voltage (kV). This establishes the base catalog number as seen below.
2. From Table 5, select fusing requirements.
3. From Table 6, select optional accessories required.

Ordering example: The MOST-9, three-phase, 15 kV switch with optional ground rod would be ordered as follows:

Quantity:
1-KPMT932
1-KPA1037-X

Constructing a Catalog Number



KPMT932 is the base catalog number for a model 9 three-phase, 15 kV MOST Switch with 600-amp source bushings and 200-amp tap bushings.

TABLE 2
MOST Selection and Ordering Guide*

Model	One-Line Diagram	Voltage (kV)	H/W/D** (In.)	Typical Catalog Number***
3		15	42/32/76	KPMT331
		25	44/40/87	KPMT334
		35	44/40/75	KPMT339
4		15	42/32/64	KPMT433
		25	44/40/75	KPMT436
		35	44/40/75	KPMT439
4A		15	42/62/64	KPMT4A33
		25	44/70/75	KPMT4A36
		35	44/70/75	KPMT4A39
5		15	42/32/64	KPMT533
		25	44/40/75	KPMT536
		35	44/40/75	KPMT539
6		15	42/62/70	KPMT632
		25	44/70/81	KPMT635
		35	44/70/75	KPMT639
6B		15	42/62/70	KPMT6B32
		25	44/70/81	KPMT6B35
		35	44/70/75	KPMT6B39
7		15	42/62/70	KPMT732
		25	44/70/81	KPMT735
		35	44/70/75	KPMT739
7B		15	42/62/70	KPMT7B32
		25	44/70/81	KPMT7B35
		35	44/70/75	KPMT7B39
8		15	42/62/70	KPMT832
		25	44/70/81	KPMT835
		35	44/70/75	KPMT839
8B		15	42/62/70	KPMT8B32
		25	44/70/81	KPMT8B35
		35	44/70/75	KPMT8B39
9		15	42/62/70	KPMT932
		25	44/70/81	KPMT935
		35	44/70/75	KPMT939
9A		15	42/62/64	KPMT9A33
		25	44/70/75	KPMT9A36
		35	44/70/75	KPMT9A39
9B		15	42/62/70	KPMT9B32
		25	44/70/81	KPMT9B35
		35	44/70/75	KPMT9B39

* Contact Cooper Power Systems Sales Representative for information on configurations not listed.
** Approximate overall dimensions for typical units. For footprint, reduce the "D" dimension by two inches.

*** Maximum continuous and switching current ratings are 600A for 15 kV, 300A for 25 kV, and 200A for 35 kV. For 35 kV units, catalog number and dimensions shown are for units with 200A source and tap bushings. 35 kV units will be supplied with three-phase rated 200A one-piece bushings as standard; however, 600A, 35 kV source bushings are available if required.

TABLE 2
MOST Selection and Ordering Guide* (continued)

Model	One-Line Diagram	Voltage (kV)	H/W/D** (In.)	Typical Catalog Number***
10		15	42/62/76	KPMT1031
		25	44/70/87	KPMT1034
		35	44/70/75	KPMT1039
11		15	42/62/76	KPMT1132
		25	44/70/87	KPMT1135
		35	44/70/75	KPMT1139
11B		15	42/62/76	KPMT11B32
		25	44/70/87	KPMT11B35
		35	44/70/75	KPMT11B39
12		15	44/62/91	KPMT1232
		25	44/70/104	KPMT1235
		35	44/70/98	KPMT1239
12B		15	44/62/91	KPMT12B32
		25	44/70/104	KPMT12B35
		35	44/70/98	KPMT12B39
13		15	42/62/76	KPMT1331
		25	44/70/87	KPMT1334
		35	44/70/75	KPMT1339
13A		15	42/62/76	KPMT13A31
		25	44/70/87	KPMT13A34
		35	44/70/75	KPMT13A39
14		15	42/62/70	KPMT1432
		25	44/70/81	KPMT1435
		35	44/70/75	KPMT1439
15		15	44/62/85	KPMT1533
		25	44/70/98	KPMT1536
		35	44/70/98	KPMT1539
15B		15	44/62/91	KPMT15B32
		25	44/70/104	KPMT15B35
		35	44/70/98	KPMT15B39

* Contact Cooper Power Systems Sales Representative for information on configurations not listed.

** Approximate overall dimensions for typical units. For footprint, reduce the "D" dimension by two inches.

*** Maximum continuous and switching current ratings are 600A for 15 kV, 300A for 25 kV, and 200A for 35 kV. For 35 kV units, catalog number and dimensions shown are for units with 200A source and tap bushings. 35 kV units will be supplied with three-phase rated 200A one-piece bushings as standard; however, 600A, 35 kV source bushings are available if required.

TABLE 3
Bushing Guide

KV	Amperage Rating (Source/Tap)		
	600A/ 200A	600A/ 600A	200A/ 200A
15	2	1	3
25	5	4	6
35	8	7	9

**REQUIRED FORMS
FORM CHECKLIST**

The following forms are to be submitted as a part of the Bid/RFP/RFQ document

NAME	FORM DESCRIPTION	SUBMITTED WITH BID	
		YES	NO
Legal Notice	Acknowledgement Form	<input type="checkbox"/>	<input type="checkbox"/>
	Debarment Certification	<input type="checkbox"/>	<input type="checkbox"/>
	Ethics Statement	<input type="checkbox"/>	<input type="checkbox"/>
	Conflict of Interest Questionnaire	<input type="checkbox"/>	<input type="checkbox"/>
	W9 or W8 Form	<input type="checkbox"/>	<input type="checkbox"/>
	Direct Deposit Form (will be provided to the awarded vendor)	<input type="checkbox"/>	<input type="checkbox"/>
	Residence Certification Form	<input type="checkbox"/>	<input type="checkbox"/>
Special Instructions	Bid Schedule/Cost sheet completed and signed	<input type="checkbox"/>	<input type="checkbox"/>
	Cashier Check or Bid Bond of 5% of Total Amount of Bid (if applicable)	<input type="checkbox"/>	<input type="checkbox"/>
	OSHA 300 Log (if applicable)	<input type="checkbox"/>	<input type="checkbox"/>
	Contractor Pre-Bid Disclosure completed, signed and notarized (if applicable)	<input type="checkbox"/>	<input type="checkbox"/>
	Sub-Contractor Pre-Bid Disclosure completed, signed, and notarized (if applicable)	<input type="checkbox"/>	<input type="checkbox"/>
			<input type="checkbox"/>
References	Complete the Previous Customer Reference Worksheet for each reference provided	<input type="checkbox"/>	<input type="checkbox"/>
Addenda			

ETHICS STATEMENT

(THIS FORM MUST BE COMPLETED IN ITS ENTIRETY AND SUBMITTED WITH BID RESPONSE)

The undersigned bidder, by signing and executing this bid, certifies and represents to the Brownsville Public Utilities Board that bidder has not offered, conferred or agreed to confer any pecuniary benefit, as defined by (1.07 (a) (6) of the Texas Penal Code, or any other thing of value as consideration for the receipt of information or any special treatment of advantage relating to this bid; the bidder also certifies and represents that the bidder has not offered, conferred or agreed to confer any pecuniary benefit or other thing of value as consideration for the recipient's decision, opinion, recommendation, vote or other exercise of discretion concerning this bid, the bidder certifies and represents that bidder has neither coerced nor attempted to influence the exercise of discretion by any officer, trustee, agent or employee of the Brownsville Public Utilities Board concerning this bid on the basis of any consideration not authorized by law; the bidder also certifies and represents that bidder has not received any information not available to other bidders so as to give the undersigned a preferential advantage with respect to this bid; the bidder further certifies and represents that bidder has not violated any state, federal, or local law, regulation or ordinance relating to bribery, improper influence, collusion or the like and that bidder will not in the future offer, confer, or agree to confer any pecuniary benefit or other thing of value of any officer, trustee, agent or employee of the Brownsville Public Utilities Board in return for the person having exercised their person's official discretion, power or duty with respect to this bid; the bidder certifies and represents that it has not now and will not in the future offer, confer, or agree to confer a pecuniary benefit or other thing of value to any officer, trustee, agent, or employee of the Brownsville Public Utilities Board in connection with information regarding this bid, the submission of this bid, the award of this bid or the performance, delivery or sale pursuant to this bid.

THE BIDDER SHALL DEFEND, INDEMNIFY, AND HOLD HARMLESS THE BROWNSVILLE PUBLIC UTILITIES BOARD, ALL OF ITS OFFICERS, AGENTS AND EMPLOYEES FROM AND AGAINST ALL CLAIMS, ACTIONS, SUITS, DEMANDS, PROCEEDING, COSTS, DAMAGES, AND LIABILITIES, ARISING OUT OF, CONNECTED WITH, OR RESULTING FROM ANY ACTS OR OMISSIONS OF CONTRACTOR OR ANY AGENT, EMPLOYEE, SUBCONTRACTOR, OR SUPPLIER OF CONTRACTOR IN THE EXECUTION OR PERFORMANCE OF THIS BID.

I have read all of the specifications and general bid requirements and do hereby certify that all items submitted meet specifications.

COMPANY: _____
AGENT NAME: _____
AGENT SIGNATURE: _____
ADDRESS: _____
CITY: _____
STATE: _____ ZIP CODE: _____
TELEPHONE: _____ TELEFAX: _____
FEDERAL ID#: _____ AND/OR SOCIAL SECURITY #: _____

DEVIATIONS FROM SPECIFICATIONS IF ANY:

NOTE: QUESTIONS AND CONCERNS FROM PROSPECTIVE CONTRACTORS SHOULD BE RAISED WITH OWNER AND ITS CONSULTANT (IF APPLICABLE) AND RESOLVED IF POSSIBLE, PRIOR TO THE BID SUBMITTAL DATE. ANY LISTED DEVIATIONS IN A FINALLY SUBMITTED BID MAY ALLOW THE OWNER TO REJECT A BID AS NON-RESPONSIVE.

**CERTIFICATION REGARDING DEBARMENT, SUSPENSION, AND OTHER
RESPONSIBILITY MATTERS (THIS FORM MUST BE COMPLETED IN ITS ENTIRETY
AND SUBMITTED WITH BID RESPONSE)**

Name of Entity: _____

The prospective participant certifies to the best of their knowledge and belief that they and their principals:

- a) Are not presently debarred, suspended, proposed for debarment, declared ineligible, or voluntarily excluded from covered transactions by any Federal department or agency;
- b) Have not within a three year period preceding this bid been convicted of or had a civil judgment rendered against them for commission of fraud or a criminal offense in connection with obtaining, attempting to obtain, or performing a public (Federal, State, or Local) transaction or contract under a public transaction; violation of Federal or State antitrust statutes or commission of embezzlement, theft, forgery, bribery, falsification or destruction of records, making false statements, or receiving stolen property;
- c) Are not presently indicted for or otherwise criminally or civilly charged by a government entity (Federal, State, Local) with commission of any of the offenses enumerated in paragraph (1) (b) of this certification; and
- d) Have not within a three year period preceding this application/bid had one or more public transactions (Federal, State, or Local) terminated for cause or default.

I understand that a false statement on this certification may be grounds for rejection of this bid or termination of the award. In addition, under 18 USC Section 1001, a false statement may result in a fine up to a \$10,000.00 or imprisonment for up to five (5) years, or both.

Name and Title of Authorized Representative (Typed)

Signature of Authorized Representative

Date

I am unable to certify to the above statements. My explanation is attached

THIS FORM MUST BE COMPLETED IN ITS ENTIRETY & SUBMITTED WITH BID RESPONSE

CONFLICT OF INTEREST QUESTIONNAIRE For vendor doing business with local governmental entity		FORM CIQ
<p>This questionnaire reflects changes made to the law by H.B. 23, 84th Leg., Regular Session.</p> <p>This questionnaire is being filed in accordance with Chapter 176, Local Government Code, by a vendor who has a business relationship as defined by Section 176.001(1-a) with a local governmental entity and the vendor meets requirements under Section 176.006(a).</p> <p>By law this questionnaire must be filed with the records administrator of the local governmental entity not later than the 7th business day after the date the vendor becomes aware of facts that require the statement to be filed. See Section 176.006(a-1), Local Government Code.</p> <p>A vendor commits an offense if the vendor knowingly violates Section 176.006, Local Government Code. An offense under this section is a misdemeanor.</p>	OFFICE USE ONLY <hr/> Date Received	
<p>1 Name of vendor who has a business relationship with local governmental entity.</p>		
<p>2 <input type="checkbox"/> Check this box if you are filing an update to a previously filed questionnaire. (The law requires that you file an updated completed questionnaire with the appropriate filing authority not later than the 7th business day after the date on which you became aware that the originally filed questionnaire was incomplete or inaccurate.)</p>		
<p>3 Name of local government officer about whom the information is being disclosed.</p> <p style="text-align: center;">_____</p> <p style="text-align: center;">Name of Officer</p>		
<p>4 Describe each employment or other business relationship with the local government officer, or a family member of the officer, as described by Section 176.003(a)(2)(A). Also describe any family relationship with the local government officer. Complete subparts A and B for each employment or business relationship described. Attach additional pages to this Form CIQ as necessary.</p> <p style="margin-left: 40px;">A. Is the local government officer or a family member of the officer receiving or likely to receive taxable income, other than investment income, from the vendor?</p> <p style="margin-left: 80px;"> <input type="checkbox"/> Yes <input type="checkbox"/> No </p> <p style="margin-left: 40px;">B. Is the vendor receiving or likely to receive taxable income, other than investment income, from or at the direction of the local government officer or a family member of the officer AND the taxable income is not received from the local governmental entity?</p> <p style="margin-left: 80px;"> <input type="checkbox"/> Yes <input type="checkbox"/> No </p>		
<p>5 Describe each employment or business relationship that the vendor named in Section 1 maintains with a corporation or other business entity with respect to which the local government officer serves as an officer or director, or holds an ownership interest of one percent or more.</p>		
<p>6 <input type="checkbox"/> Check this box if the vendor has given the local government officer or a family member of the officer one or more gifts as described in Section 176.003(a)(2)(B), excluding gifts described in Section 176.003(a-1).</p>		
<p>7</p> <p style="text-align: center;"> _____ Signature of vendor doing business with the governmental entity </p> <p style="text-align: right; margin-right: 100px;"> _____ Date </p>		

CONFLICT OF INTEREST QUESTIONNAIRE
For vendor doing business with local governmental entity

A complete copy of Chapter 176 of the Local Government Code may be found at <http://www.statutes.legis.state.tx.us/Docs/LG/htm/LG.176.htm>. For easy reference, below are some of the sections cited on this form.

Local Government Code § 176.001(1-a): "Business relationship" means a connection between two or more parties based on commercial activity of one of the parties. The term does not include a connection based on:

- (A) a transaction that is subject to rate or fee regulation by a federal, state, or local governmental entity or an agency of a federal, state, or local governmental entity;
- (B) a transaction conducted at a price and subject to terms available to the public; or
- (C) a purchase or lease of goods or services from a person that is chartered by a state or federal agency and that is subject to regular examination by, and reporting to, that agency.

Local Government Code § 176.003(a)(2)(A) and (B):

(a) A local government officer shall file a conflicts disclosure statement with respect to a vendor if:

(2) the vendor:

(A) has an employment or other business relationship with the local government officer or a family member of the officer that results in the officer or family member receiving taxable income, other than investment income, that exceeds \$2,500 during the 12-month period preceding the date that the officer becomes aware that

- (i) a contract between the local governmental entity and vendor has been executed; or
- (ii) the local governmental entity is considering entering into a contract with the vendor;

(B) has given to the local government officer or a family member of the officer one or more gifts that have an aggregate value of more than \$100 in the 12-month period preceding the date the officer becomes aware that:

- (i) a contract between the local governmental entity and vendor has been executed; or
- (ii) the local governmental entity is considering entering into a contract with the vendor.

Local Government Code § 176.006(a) and (a-1)

(a) A vendor shall file a completed conflict of interest questionnaire if the vendor has a business relationship with a local governmental entity and:

- (1) has an employment or other business relationship with a local government officer of that local governmental entity, or a family member of the officer, described by Section 176.003(a)(2)(A);
- (2) has given a local government officer of that local governmental entity, or a family member of the officer, one or more gifts with the aggregate value specified by Section 176.003(a)(2)(B), excluding any gift described by Section 176.003(a-1); or
- (3) has a family relationship with a local government officer of that local governmental entity.

(a-1) The completed conflict of interest questionnaire must be filed with the appropriate records administrator not later than the seventh business day after the later of:

(1) the date that the vendor:

- (A) begins discussions or negotiations to enter into a contract with the local governmental entity; or
- (B) submits to the local governmental entity an application, response to a request for proposals or bids, correspondence, or another writing related to a potential contract with the local governmental entity; or

(2) the date the vendor becomes aware:

- (A) of an employment or other business relationship with a local government officer, or a family member of the officer, described by Subsection (a);
- (B) that the vendor has given one or more gifts described by Subsection (a); or
- (C) of a family relationship with a local government officer.

BROWNSVILLE PUBLIC UTILITIES BOARD
RESIDENCE CERTIFICATION

In accordance with Art. 601g, as passed by the 1985 Texas Legislature, the following will apply. The pertinent portion of the Act has been extracted and is as follows:

Section 1. (a)

(1) "Nonresident bidder" means a bidder whose principal place of business is not in this state, but excludes a contractor whose ultimate parent company or majority owner has its principal place of business in this state.

(2) "Texas resident bidder " means a bidder whose principal place of business is in this state, and includes a contractor whose ultimate parent company or majority owner has its principal place of business in this state.

Section 1. (b)

The state or governmental agency of the state may not award a contract for general construction, improvements, services, or public works projects or purchases of supplies, materials or equipment to a nonresident bidder unless the nonresident's bid is lower than the lowest bid submitted by a responsible Texas resident bidder by the same amount that a Texas resident bidder would be required to underbid a nonresident bidder to obtain a comparable contract in the state in which the nonresident's principal place of business is located.

I certify that _____
(Company Name) is a **resident Texas bidder** as defined in Art. 601g.

Signature: _____

Print Name: _____

I certify that _____
(Company Name) is a **nonresident bidder** as defined in Art. 601g. and our principal place of business is: _____

(City and State)

Signature: _____

Print Name: _____



Material submitted on this form is intended to verify the product suitability for use as part of the service area throughout the city of Brownsville. BPUB Electrical Engineering Department will evaluate the product to determine if product meets BPUB's requirements, needs, and quality. Request shall include, but shall not be limited to a list of all standards (TCLP, ANSI, ICEA, ASTM, ACSR), and any certification (UL, ASSE, etc.) of the material.

The proposed material shall include the specification sheet with product detail and manufacturer information.

Request for Material Approval

Requestor Name: _____	Date: _____
Company Name : _____	_____
Street Address: _____	
City/ State/ Zip code: _____	
Phone #: _____	
Fax #: _____	

Material and Manufacturer Product

Description	Part Number	History in Market Utilities Related	Reference Information	Approved by:

Request for Taxpayer Identification Number and Certification

▶ Go to www.irs.gov/FormW9 for instructions and the latest information.

**Give Form to the
requester. Do not
send to the IRS.**

Print or type. See Specific Instructions on page 3.	<p>1 Name (as shown on your income tax return). Name is required on this line; do not leave this line blank.</p> <hr/> <p>2 Business name/disregarded entity name, if different from above</p> <hr/> <p>3 Check appropriate box for federal tax classification of the person whose name is entered on line 1. Check only one of the following seven boxes.</p> <p><input type="checkbox"/> Individual/sole proprietor or single-member LLC <input type="checkbox"/> C Corporation <input type="checkbox"/> S Corporation <input type="checkbox"/> Partnership <input type="checkbox"/> Trust/estate</p> <p><input type="checkbox"/> Limited liability company. Enter the tax classification (C=C corporation, S=S corporation, P=Partnership) ▶ _____</p> <p>Note: Check the appropriate box in the line above for the tax classification of the single-member owner. Do not check LLC if the LLC is classified as a single-member LLC that is disregarded from the owner unless the owner of the LLC is another LLC that is not disregarded from the owner for U.S. federal tax purposes. Otherwise, a single-member LLC that is disregarded from the owner should check the appropriate box for the tax classification of its owner.</p> <p><input type="checkbox"/> Other (see instructions) ▶ _____</p>	<p>4 Exemptions (codes apply only to certain entities, not individuals; see instructions on page 3):</p> <p>Exempt payee code (if any) _____</p> <p>Exemption from FATCA reporting code (if any) _____</p> <p><small>(Applies to accounts maintained outside the U.S.)</small></p>
	<p>5 Address (number, street, and apt. or suite no.) See instructions.</p> <hr/> <p>6 City, state, and ZIP code</p> <hr/> <p>7 List account number(s) here (optional)</p>	<p>Requester's name and address (optional)</p> <hr/> <hr/>

Part I Taxpayer Identification Number (TIN)

Enter your TIN in the appropriate box. The TIN provided must match the name given on line 1 to avoid backup withholding. For individuals, this is generally your social security number (SSN). However, for a resident alien, sole proprietor, or disregarded entity, see the instructions for Part I, later. For other entities, it is your employer identification number (EIN). If you do not have a number, see *How to get a TIN*, later.

Note: If the account is in more than one name, see the instructions for line 1. Also see *What Name and Number To Give the Requester* for guidelines on whose number to enter.

Social security number								
<table style="width: 100%; border-collapse: collapse;"> <tr> <td style="width: 25%; border: 1px solid black; height: 20px;"></td> <td style="width: 25%; border: 1px solid black; height: 20px;"></td> <td style="width: 25%; border: 1px solid black; height: 20px;"></td> <td style="width: 25%; border: 1px solid black; height: 20px;"></td> </tr> <tr> <td style="text-align: center;">-</td> <td style="text-align: center;">-</td> <td style="text-align: center;">-</td> <td style="text-align: center;">-</td> </tr> </table>					-	-	-	-
-	-	-	-					
or								
Employer identification number								
<table style="width: 100%; border-collapse: collapse;"> <tr> <td style="width: 25%; border: 1px solid black; height: 20px;"></td> <td style="width: 25%; border: 1px solid black; height: 20px;"></td> <td style="width: 25%; border: 1px solid black; height: 20px;"></td> <td style="width: 25%; border: 1px solid black; height: 20px;"></td> </tr> <tr> <td style="text-align: center;">-</td> <td style="text-align: center;">-</td> <td style="text-align: center;">-</td> <td style="text-align: center;">-</td> </tr> </table>					-	-	-	-
-	-	-	-					

Part II Certification

Under penalties of perjury, I certify that:

1. The number shown on this form is my correct taxpayer identification number (or I am waiting for a number to be issued to me); and
2. I am not subject to backup withholding because: (a) I am exempt from backup withholding, or (b) I have not been notified by the Internal Revenue Service (IRS) that I am subject to backup withholding as a result of a failure to report all interest or dividends, or (c) the IRS has notified me that I am no longer subject to backup withholding; and
3. I am a U.S. citizen or other U.S. person (defined below); and
4. The FATCA code(s) entered on this form (if any) indicating that I am exempt from FATCA reporting is correct.

Certification instructions. You must cross out item 2 above if you have been notified by the IRS that you are currently subject to backup withholding because you have failed to report all interest and dividends on your tax return. For real estate transactions, item 2 does not apply. For mortgage interest paid, acquisition or abandonment of secured property, cancellation of debt, contributions to an individual retirement arrangement (IRA), and generally, payments other than interest and dividends, you are not required to sign the certification, but you must provide your correct TIN. See the instructions for Part II, later.

Sign Here	Signature of U.S. person ▶ _____	Date ▶ _____
------------------	----------------------------------	--------------

General Instructions

Section references are to the Internal Revenue Code unless otherwise noted.

Future developments. For the latest information about developments related to Form W-9 and its instructions, such as legislation enacted after they were published, go to www.irs.gov/FormW9.

Purpose of Form

An individual or entity (Form W-9 requester) who is required to file an information return with the IRS must obtain your correct taxpayer identification number (TIN) which may be your social security number (SSN), individual taxpayer identification number (ITIN), adoption taxpayer identification number (ATIN), or employer identification number (EIN), to report on an information return the amount paid to you, or other amount reportable on an information return. Examples of information returns include, but are not limited to, the following.

- Form 1099-INT (interest earned or paid)

- Form 1099-DIV (dividends, including those from stocks or mutual funds)
 - Form 1099-MISC (various types of income, prizes, awards, or gross proceeds)
 - Form 1099-B (stock or mutual fund sales and certain other transactions by brokers)
 - Form 1099-S (proceeds from real estate transactions)
 - Form 1099-K (merchant card and third party network transactions)
 - Form 1098 (home mortgage interest), 1098-E (student loan interest), 1098-T (tuition)
 - Form 1099-C (canceled debt)
 - Form 1099-A (acquisition or abandonment of secured property)
- Use Form W-9 only if you are a U.S. person (including a resident alien), to provide your correct TIN.

If you do not return Form W-9 to the requester with a TIN, you might be subject to backup withholding. See What is backup withholding, later.

Form **W-8BEN-E**

(Rev. October 2021)
 Department of the Treasury
 Internal Revenue Service

**Certificate of Status of Beneficial Owner for
 United States Tax Withholding and Reporting (Entities)**

▶ For use by entities. Individuals must use Form W-8BEN. ▶ Section references are to the Internal Revenue Code.
 ▶ Go to www.irs.gov/FormW8BENE for instructions and the latest information.
 ▶ Give this form to the withholding agent or payer. Do not send to the IRS.

OMB No. 1545-1621

Do NOT use this form for:

- U.S. entity or U.S. citizen or resident W-9
- A foreign individual W-8BEN (Individual) or Form 8233
- A foreign individual or entity claiming that income is effectively connected with the conduct of trade or business within the United States (unless claiming treaty benefits). W-8ECI
- A foreign partnership, a foreign simple trust, or a foreign grantor trust (unless claiming treaty benefits) (see instructions for exceptions) . . . W-8IMY
- A foreign government, international organization, foreign central bank of issue, foreign tax-exempt organization, foreign private foundation, or government of a U.S. possession claiming that income is effectively connected U.S. income or that is claiming the applicability of section(s) 115(2), 501(c), 892, 895, or 1443(b) (unless claiming treaty benefits) (see instructions for other exceptions) W-8ECI or W-8EXP
- Any person acting as an intermediary (including a qualified intermediary acting as a qualified derivatives dealer) W-8IMY

Instead use Form:

Part I Identification of Beneficial Owner

1 Name of organization that is the beneficial owner	2 Country of incorporation or organization
3 Name of disregarded entity receiving the payment (if applicable, see instructions)	

4 Chapter 3 Status (entity type) (Must check one box only):

<input type="checkbox"/> Corporation	<input type="checkbox"/> Partnership
<input type="checkbox"/> Simple trust	<input type="checkbox"/> Foreign Government - Controlled Entity
<input type="checkbox"/> Tax-exempt organization	<input type="checkbox"/> Foreign Government - Integral Part
<input type="checkbox"/> Complex trust	
<input type="checkbox"/> Central Bank of Issue	<input type="checkbox"/> Estate
<input type="checkbox"/> Private foundation	<input type="checkbox"/> International organization
<input type="checkbox"/> Grantor trust	
<input type="checkbox"/> Disregarded entity	

If you entered disregarded entity, partnership, simple trust, or grantor trust above, is the entity a hybrid making a treaty claim? If "Yes," complete Part III. Yes No

5 Chapter 4 Status (FATCA status) (See instructions for details and complete the certification below for the entity's applicable status.)

<input type="checkbox"/> Nonparticipating FFI (including an FFI related to a Reporting IGA FFI other than a deemed-compliant FFI, participating FFI, or exempt beneficial owner). <input type="checkbox"/> Participating FFI. <input type="checkbox"/> Reporting Model 1 FFI. <input type="checkbox"/> Reporting Model 2 FFI. <input type="checkbox"/> Registered deemed-compliant FFI (other than a reporting Model 1 FFI, sponsored FFI, or nonreporting IGA FFI covered in Part XII). See instructions. <input type="checkbox"/> Sponsored FFI. Complete Part IV. <input type="checkbox"/> Certified deemed-compliant nonregistering local bank. Complete Part V. <input type="checkbox"/> Certified deemed-compliant FFI with only low-value accounts. Complete Part VI. <input type="checkbox"/> Certified deemed-compliant sponsored, closely held investment vehicle. Complete Part VII. <input type="checkbox"/> Certified deemed-compliant limited life debt investment entity. Complete Part VIII. <input type="checkbox"/> Certain investment entities that do not maintain financial accounts. Complete Part IX. <input type="checkbox"/> Owner-documented FFI. Complete Part X. <input type="checkbox"/> Restricted distributor. Complete Part XI.	<input type="checkbox"/> Nonreporting IGA FFI. Complete Part XII. <input type="checkbox"/> Foreign government, government of a U.S. possession, or foreign central bank of issue. Complete Part XIII. <input type="checkbox"/> International organization. Complete Part XIV. <input type="checkbox"/> Exempt retirement plans. Complete Part XV. <input type="checkbox"/> Entity wholly owned by exempt beneficial owners. Complete Part XVI. <input type="checkbox"/> Territory financial institution. Complete Part XVII. <input type="checkbox"/> Excepted nonfinancial group entity. Complete Part XVIII. <input type="checkbox"/> Excepted nonfinancial start-up company. Complete Part XIX. <input type="checkbox"/> Excepted nonfinancial entity in liquidation or bankruptcy. Complete Part XX. <input type="checkbox"/> 501(c) organization. Complete Part XXI. <input type="checkbox"/> Nonprofit organization. Complete Part XXII. <input type="checkbox"/> Publicly traded NFFE or NFFE affiliate of a publicly traded corporation. Complete Part XXIII. <input type="checkbox"/> Excepted territory NFFE. Complete Part XXIV. <input type="checkbox"/> Active NFFE. Complete Part XXV. <input type="checkbox"/> Passive NFFE. Complete Part XXVI. <input type="checkbox"/> Excepted inter-affiliate FFI. Complete Part XXVII. <input type="checkbox"/> Direct reporting NFFE. <input type="checkbox"/> Sponsored direct reporting NFFE. Complete Part XXVIII. <input type="checkbox"/> Account that is not a financial account.
---	---

6 Permanent residence address (street, apt. or suite no., or rural route). **Do not use a P.O. box or in-care-of address** (other than a registered address).

City or town, state or province. Include postal code where appropriate.	Country
---	---------

7 Mailing address (if different from above)

City or town, state or province. Include postal code where appropriate.	Country
---	---------